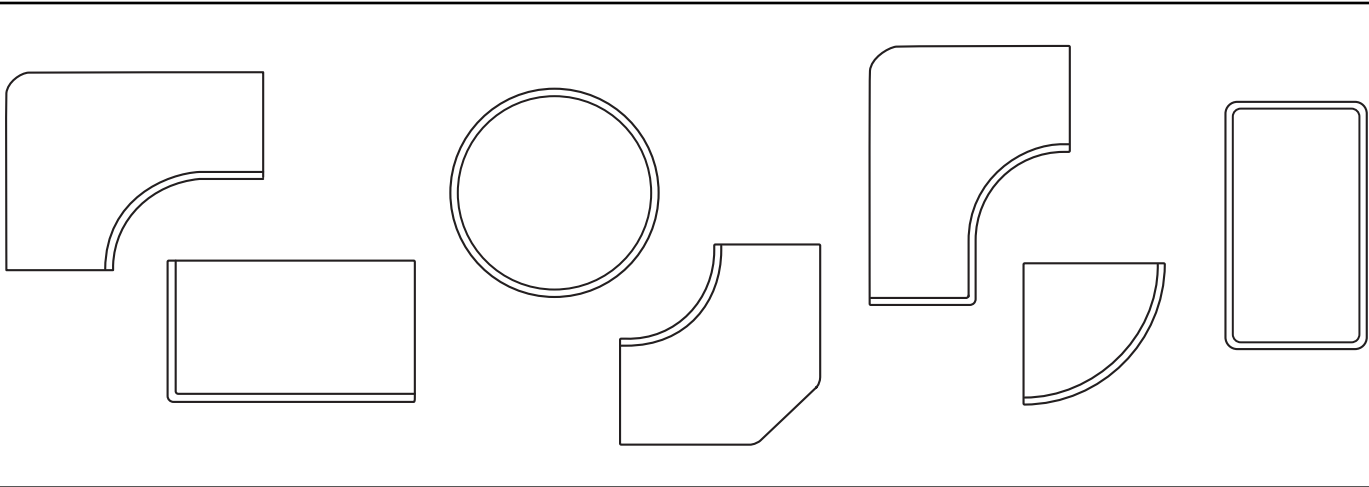


Veneer Surfaces

Whether you're designing a new environment or updating an old one, our *Veneer Surfaces* program provides a new level of sophistication with the beauty of natural wood veneer. *Veneer Surfaces* can be mixed and matched to custom fit your layout while curved components enhance form and function in your environment.

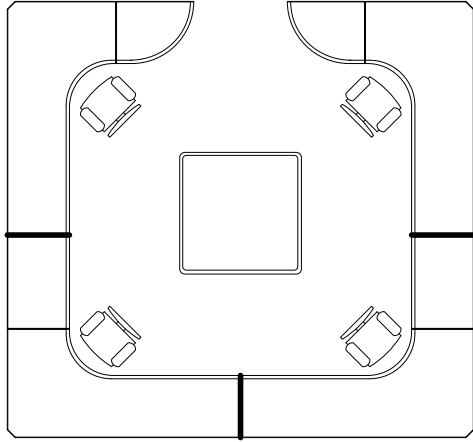


Put our Veneer Surfaces to work for you.

Sample Layouts

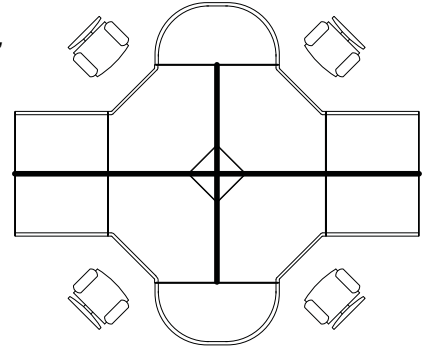
Workcell Layout

includes NCVS-CCL, NCVS-CCR, NCVS-QTRR, NCVS-STRT-SQ and NCVS-SP-SQ



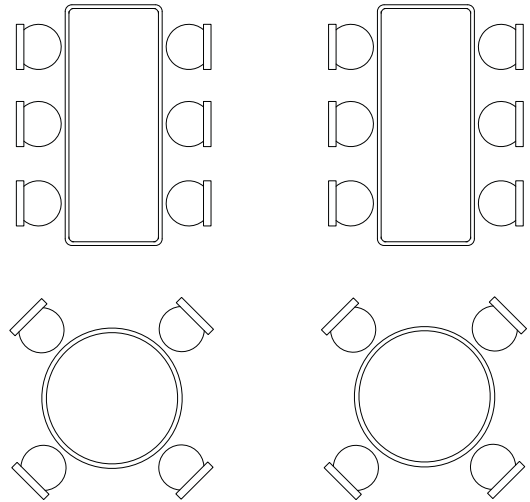
Teaming Layout

includes NCVS-CCD, NCVS-HR and NCVS-STRT-SQ



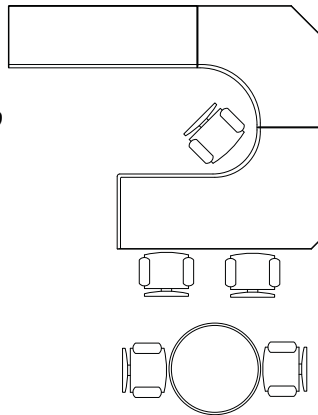
Breakroom Layout

includes NCVS-SP-RND and NCVS-RND



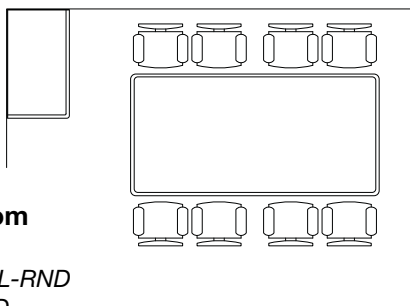
Executive Layout

includes NCVS-CCD, NCVS-CCER, NCVS-RND and NCVS-STRT-SQ



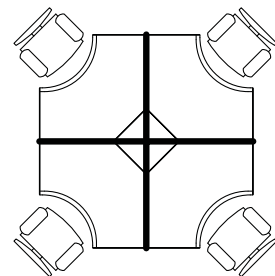
Conference Room Layout

includes NCVS-SEL-RND and NCVS-SP-RND



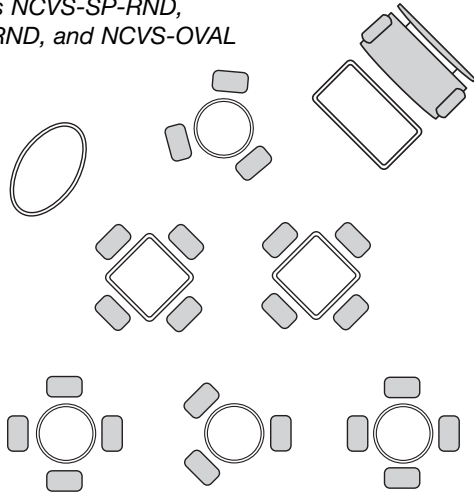
Educational Layout

includes NCVS-CCD



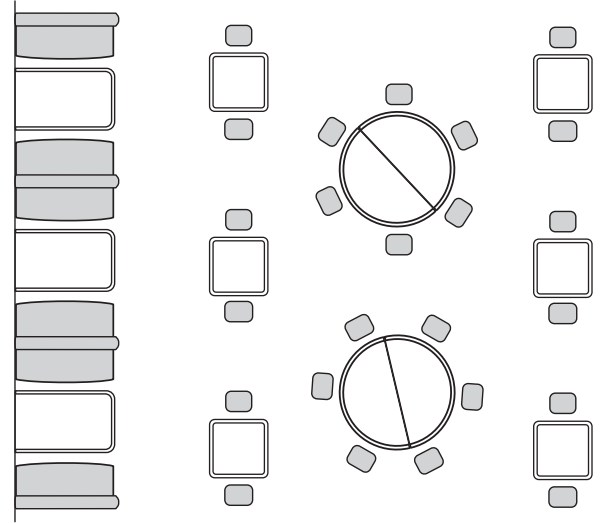
Coffee Cafe Layout

includes NCVS-SP-RND, NCVS-RND, and NCVS-OVAL



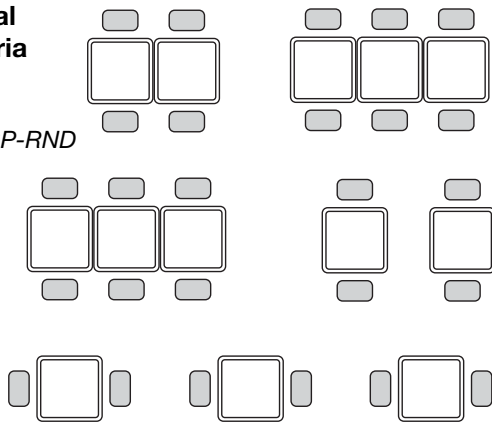
Family Restaurant Layout

includes NCVS-SP-RND, NCVS-DS-RND and NCVS-HR



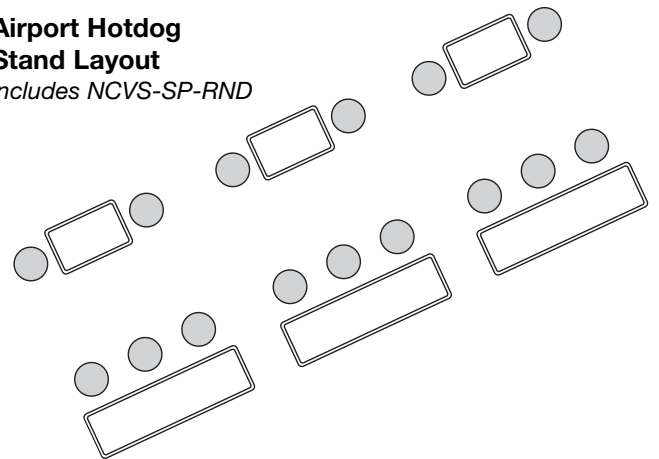
Hospital Cafeteria Layout

includes NCVS-SP-RND



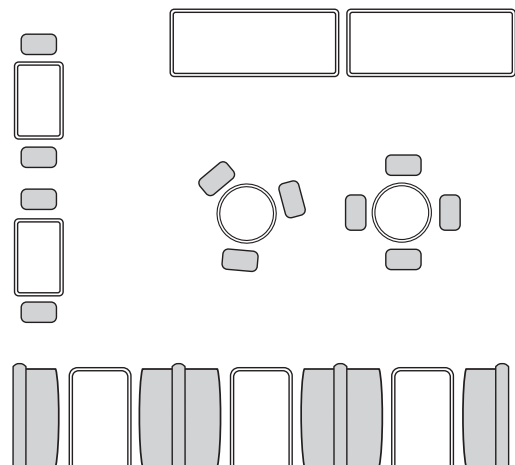
Airport Hotdog Stand Layout

includes NCVS-SP-RND



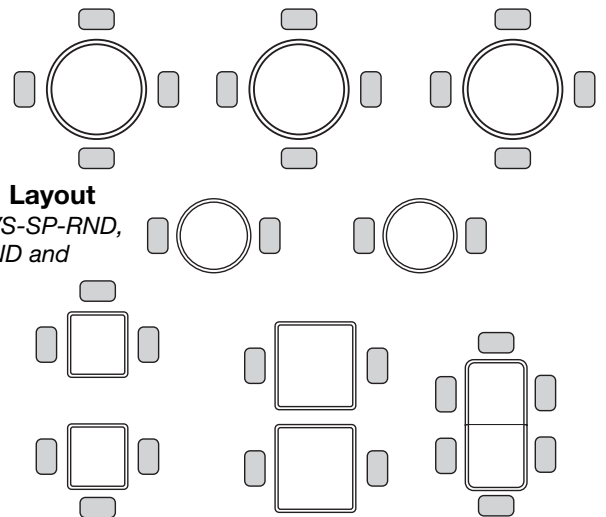
Bagel Shop Layout

includes NCVS-SP-RND, NCVS-DS-RND and NCVS-RND



Executive Lunchroom Layout

includes NCVS-SP-RND, NCVS-DS-RND and NCVS-RND



Veneer Surfaces Ordering Instructions & Information

1. To order, complete the order form for your part(s) found at the end of this Product Guide. Indicate billing address, shipping address, quantities, part measurements, veneer and profiles.
2. Fax the Order Form to 218-998-1888. You may also e-mail files to orders@northerncontours.com.
3. You will receive an order acknowledgement by fax within 24 hours of our receipt of your order (Monday - Friday 8:00 AM - 4:00 PM Central Standard Time). If you do not receive an acknowledgement, please contact us at 877-998-1814 to confirm we received your order.

Order Information

- **Part Sizes:** The *Veneer Surfaces* program is designed to give customers a few popular standard shapes plus the flexibility to order parts in the exact sizes and shapes you require. Size parameters are listed in the Notes section of each individual print. Due to the manufacturing process, the largest part we currently manufacture is 47" x 96", smallest part is 12" x 12". We have listed this requirement on all order forms.
- **Size Note:** Parts can be stretched in many ways but some parts have size limitations in specific directions. Please see individual order forms for details.
- **Pricing:** All parts are priced per square foot. Consult the price list for current pricing.
- **Custom Components - NCVS-CUSTOM:** The NCVS-CUSTOM option allows you to customize a part to meet your needs and requirements. You choose the shape, size, and profile locations (within the parameters listed in the "Notes" section on the NCVS-CUSTOM order form). Use the other order forms as an example of the best way to draw your custom part. For clarity, please note the dimensions of all edges.
- **Order Form and Custom Part Drawings:** Please be certain your order form and part drawings are complete and accurate before sending them. Your order will be taken directly from these documents. Those missing information will be returned to you for clarification which may delay your order.
- **Standard Leadtime:** Maximum of 15 business days for raw surfaces, 20 business days for finished product. Call Customer Service for current leadtimes.
- **Packaging:** All orders will be bulk palletized (strapped in layers on a pallet). Individual boxing of components is not available. All shipments will require the use of a forklift, unless specified otherwise. Sample orders will ship UPS.
- **Shipping Terms:** All orders are shipped FOB manufacturing facility.
- **Shipping Method:** CCX or Fed Ex Freight. All orders will be shipped freight pre-paid, unless otherwise specified.

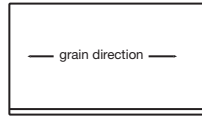
Standard Shapes

Order forms for the following standard shapes can be found at the end of this Product Guide.

NCVS-CUSTOM - Use the CUSTOM order form and send your own drawing.

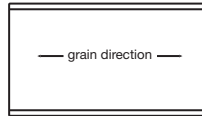
NCVS-STRT-SQ

Straight Square Corners



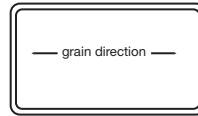
NCVS-SD-SQ

Straight with Double Profile Square Corners



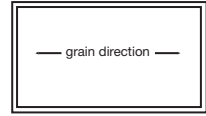
NCVS-SP-RND

Straight with Profile Around Round Corners



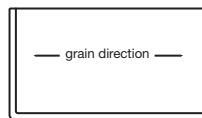
NCVS-SP-SQ

Straight with Profile Around Square Corners



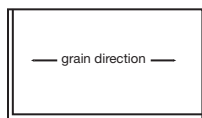
NCVS-SEL-RND

Straight End Left Round Corner



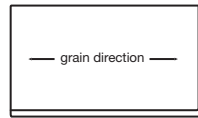
NCVS-SEL-SQ

Straight End Left Square Corner



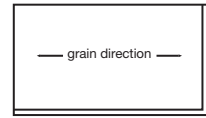
NCVS-SER-RND

Straight End Right Round Corner



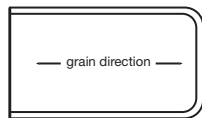
NCVS-SER-SQ

Straight End Right Square Corner



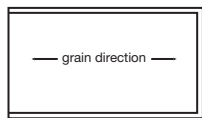
NCVS-DS-RND

D Shape Short Profile Round Corners



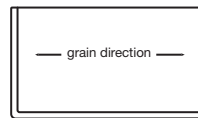
NCVS-DS-SQ

D Shape Short Profile Square Corners



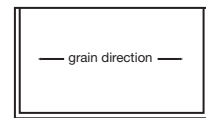
NCVS-DL-RND

D Shape Long Profile Round Corners



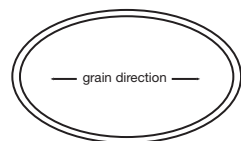
NCVS-DL-SQ

D Shape Long Profile Square Corners



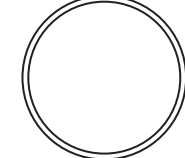
NCVS-OVAL

Oval



NCVS-RND

Round



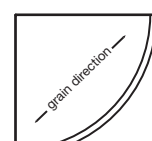
NCVS-HR

Half Round



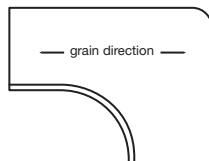
NCVS-QTRR

Quarter Round



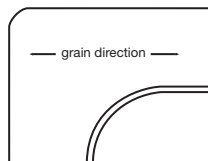
NCVS-CCL

Corner Curved Left



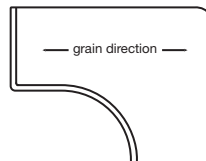
NCVS-CCR

Corner Curved Right



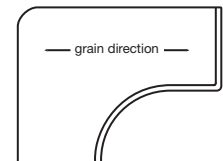
NCVS-CCEL

Corner Curved End Left



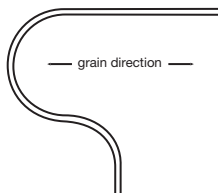
NCVS-CCER

Corner Curved End Right



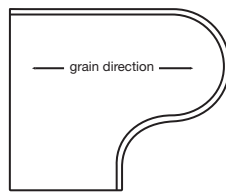
NCVS-CCBL

Corner Curved Bullet Left



NCVS-CCBR

Corner Curved Bullet Right



NCVS-CCD

Corner Curved Diagonal



Veneer Selection, Materials & Technical Data

Veneer Surface components are available in Quartered Cherry and Quartered Maple. Other veneers as well as inlay options may be available. Contact the Sales Office at 866-344-8132 for more information.

Standard Veneer Grade Specifications

- **Quartered Cherry** veneer is "A" grade heartwood per HPVA specifications, quarter sawn face. Color: Light pinkish-brown to dark reddish-brown. Characteristics: Light, strong, hard.
- **Quartered Maple** veneer is "A" grade hardwood per HPVA specifications, quarter sawn face. Color: Creamy white. Characteristics: Fine textured, can be lightly figured.

Finishing

Standard product will be sold raw, but natural (clear coat) finish is available. Our natural finish is single application water UV seal and single application water UV topcoat with a sheen of 25-35. Finishing adds 5 days to the overall product leadtime.

We highly recommend a desk pad, glass or other protective measure be used in addition to finishing on horizontal surfaces. Veneers are a natural product that can be scratched, marred and embossed through use. Our finishing process will not prevent these occurrences from happening.

MDF Core - CARB Phase 1 Compliant

Product core is Medium Density Fiberboard (MDF), a panel product manufactured from wood fibers combined with a synthetic resin or other suitable binder and bonded under heat and pressure to a density of between 31 and 55 lb/cubic foot (45-48lb/cubic foot is typical).

MDF is omni-directional, so it can be shaped and finished without the grain and pitting problems associated with solid lumber or particleboard. MDF provides a stable core and superior surface for laminating. The random fiber orientation eliminates built-in stress that could cause warping, while increasing strength and impact resistance.

MDF has excellent screw holding strength, surface hardness, and deflection resistance. The backside of MDF (underside of surface) has mill option veneer applied to it. Predrilling for screws is recommended.

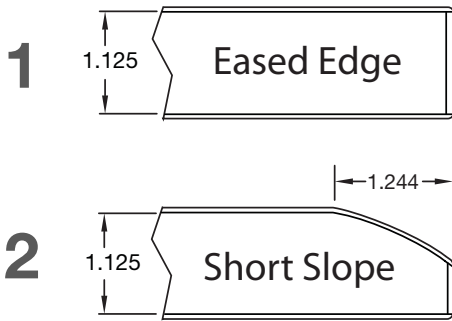
Edgebanding

Cherry and Maple edgebanding for Veneer Surfaces is 2 ply, 1.5 mm thick.

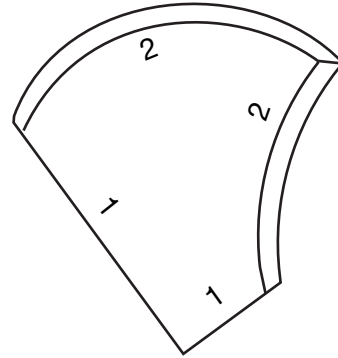
Profile and Sample Information

The following profile options are available for all *Veneer Surfaces*. Select the primary profile for your part on the order form. Secondary profiles are Eased Edge unless otherwise noted.

Profile Options



Sample - 12" x 14"



This product sample features both profiles shown at left. Either profile is available on any *Veneer Surfaces* product. Use your order form to see all the options.

Frequently Asked Questions

Can I use Veneer Surface components for kitchen or break areas?

Yes and No. The components work great for break room tables but are not made for preparation areas where knives or hot pans are used.

Is there a size limit on Veneer Surface parts?

Due to the manufacturing process, single parts cannot be larger than 47" x 96".

If a change occurs, can a part be cut down in the field?

Yes. Be sure to use a sharp blade. Also, taping the surface prior to cutting helps eliminate chipping. Keep in mind that MDF is not water resistant and excessive exposure to the raw edge after cutting may cause the core to swell. Please note that altering the original component in this way will void our warranty.

Can I modify a radius or profile location on one of the standard part drawings?

No. These parts are standardized and available in the exact design shown in the range of dimensions listed. This reduces production time, creating a cost savings that we in turn pass on to you and your customer. We do however have a part number (NCVS-CUSTOM) which allows you to draw a customized part.

What do I do if the part requires grommet hole(s)?

To install a grommet, purchase a grommet, apply masking tape over the area to be cut, and use a hole saw to cut a hole slightly oversized from the grommet cylinder. The lip of the grommet should cover any chipping that may occur. If a dull hole saw is used, scoring the veneer with a knife blade will help prevent chipping. Please note that altering the original component in this way will void our warranty.

Do I have to order to the nearest 1"?

No, you can order by any dimension necessary. We just ask you order in decimal or fractional inches, not millimeters. Please note, the standard tolerances are + or - 1/16".

I plan to use undermount keyboard trays. How can I figure out the radius size to determine if I will have enough clearance to access the keyboard tray?

There is a simple formula in the Notes section on each order form that explains how to calculate certain dimensions. It also gives you rules for minimum dimensions.

Do I have to order 24" & 30" deep parts?

You can order whatever depth (width) you choose (within the size parameters listed on the individual part order forms). The program's intent is to meet the needs of you and your customer. For example, you can order a straight in a 12" width for shelving or as a transaction surface.

Can I order door and drawer fronts to match or compliment my Veneer Surfaces?

Yes. We have a complete line of custom doors for all your storage areas. Please contact your Sales Representative for details.

Product Warranty and Cancellation Policy

Product Warranty

Northern Contours, Inc. warrants all components it manufactures against defects occurring in the manufacturing process and against delamination, warping, twist, swelling and other manufacturing defects for the period of five years after the date of sale. This warranty assumes the following:



- Natural variation in the color, texture or grain of the wood is not considered a defect and is not replaceable under this warranty.
- Proper care and handling must be exercised, including sufficient support for horizontal surfaces. Abusive handling of products is not covered.
- We cannot warrant against abnormal heat, humidity, dryness or cold.
- Poor or improper finishing done by others is not covered.
- Warranty covers the repair or replacement of the product only and our liability under this warranty will not exceed the invoiced amount of the products.

Complete warranty information is available from your customer service representative or online at www.northerncontours.com.

Notes

Since this program uses natural wood veneer, some color and character variations will be visible from piece to piece, and order to order. Surfaces may have some crossbar figure or slight blending ray fleck. They are considered natural characteristics of the wood, and will not be replaced without a charge. We use veneer grades based on standard HPVA specifications.

Changes and Cancellations

At Northern Contours, we strive to produce and deliver a wide variety of components on short lead times. Starts and stops in order production, order revisions and “holds” slow the flow of orders through the system. We ask that customers place only firm orders and be aware of the following guidelines for changes and cancellations.

Submitting Requests for Order Changes

To modify an acknowledged order, you must submit a written request to Northern Contours. The changes must be agreed to and again acknowledged.

Changes to Orders for Standard* Products

No changes or cancellations can be accepted on standard products 0 to 10 business days prior to ship date as printed on our order acknowledgement. That is to say, there is a 100% cancellation fee at this stage in production. If changes or a cancellation are requested 10 or more days prior to the ship date, a 50% change/cancellation fee will apply. Change-orders are also subject to revised lead times and additional fees.

Changes to Orders for Specials*

No changes or cancellations will be accepted after order acknowledgement for specials. This is to say, there is a 100% cancellation fee.

Special Order Materials

Where specific materials are procured for a customer order/project, the customer will be responsible for the full value of all special order materials even if the order is cancelled.

*Standard products are products included in the *Veneer Surfaces* program. Specials are non-standard products (shapes and/or veneers). Specials include modified standard product and new items requiring additional engineering.



Veneer Surfaces Order Form

Order Quote Page _____ of _____

Ph: 877.998.1814 Fax: 218.998.1888

Date _____ Job Name _____

E-mail: orders@northerncontours.com

PO# _____ Ordered By _____

BILL TO _____
Address _____
City _____ **St** _____ **Zip** _____
Tel _____ **Fax** _____
E-mail _____

SHIP TO _____
Address _____
City _____ **St** _____ **Zip** _____
Tel _____ **Fax** _____
 Commercial Residential

NCVS-CUSTOM Custom Design

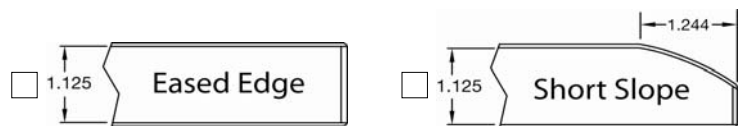
Quantity _____

Specie _____

Notes

- Draw custom part above
- 1 part per order form
- Add profile letter (A or B) to all sides
- Dimension all sides
- Indicate grain direction
- Width max of 47", length max of 96"
- Corner radii = broken edge
- Outside corner radii where two profile A's meet = 4" standard
- Inside corner radii 12" min

Primary Profile (A)



Secondary Profile (B)





Veneer Surfaces Order Form

Order Quote Page _____ of _____

Ph: 877.998.1814 Fax: 218.998.1888

Date _____ Job Name _____

E-mail: orders@northerncontours.com

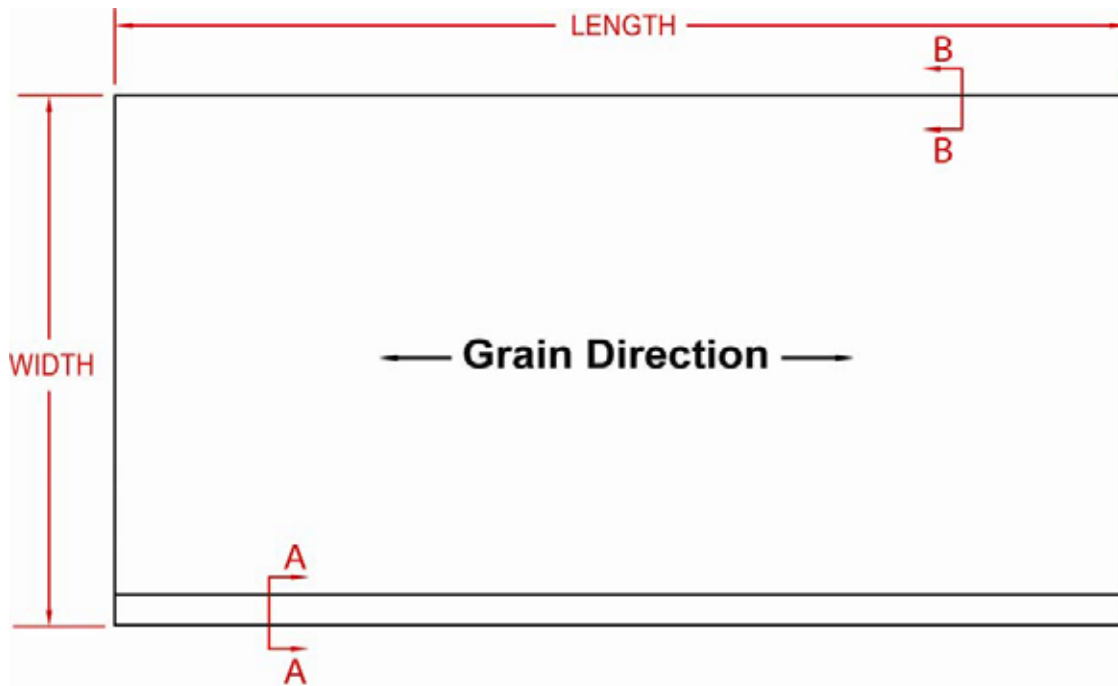
PO# _____ Ordered By _____

BILL TO _____
Address _____
City _____ **St** _____ **Zip** _____
Tel _____ **Fax** _____
E-mail _____

SHIP TO _____
Address _____
City _____ **St** _____ **Zip** _____
Tel _____ **Fax** _____
 Commercial Residential

NCVS-STRT-SQ

Straight (Square Corners)



Quantity _____

Width _____

Length _____

Specie _____

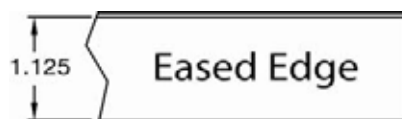
Notes

- Width Max of 47", Length Max of 96"
- Width Min of 12"
- Length Min of 12"

Primary Profile (A)



Secondary Profile (B)



- Note: Orders may be electronically forwarded to: orders@northerncontours.com



Veneer Surfaces Order Form

Order Quote Page _____ of _____

Ph: 877.998.1814 Fax: 218.998.1888

Date _____ Job Name _____

E-mail: orders@northerncontours.com

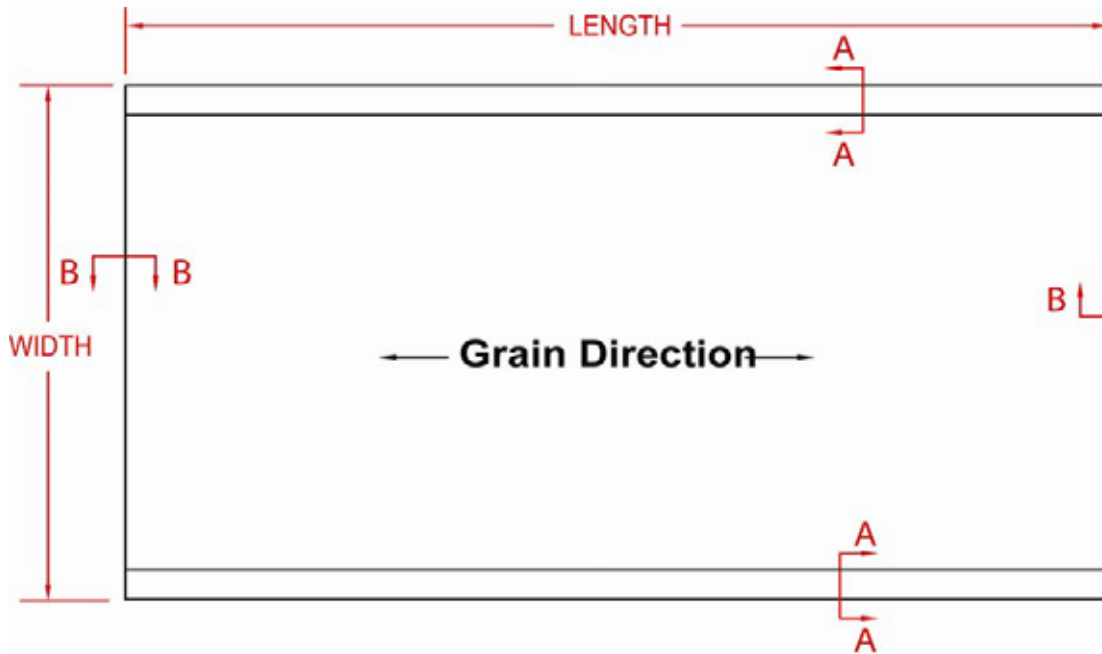
PO# _____ Ordered By _____

BILL TO _____
Address _____
City _____ **St** _____ **Zip** _____
Tel _____ **Fax** _____
E-mail _____

SHIP TO _____
Address _____
City _____ **St** _____ **Zip** _____
Tel _____ **Fax** _____
 Commercial Residential

NCVS-SD-SQ

Straight with Double Profile (Square Corners)



Quantity _____

Width _____

Length _____

Specie _____

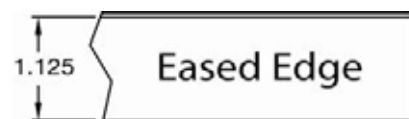
Notes

- Width Max of 47", Length Max of 96"
- Width Min of 12"
- Length Min of 12"

Primary Profile (A)



Secondary Profile (B)



- Note: Orders may be electronically forwarded to: orders@northerncontours.com



Veneer Surfaces Order Form

Order Quote Page _____ of _____

Ph: 877.998.1814 Fax: 218.998.1888

Date _____ Job Name _____

E-mail: orders@northerncontours.com

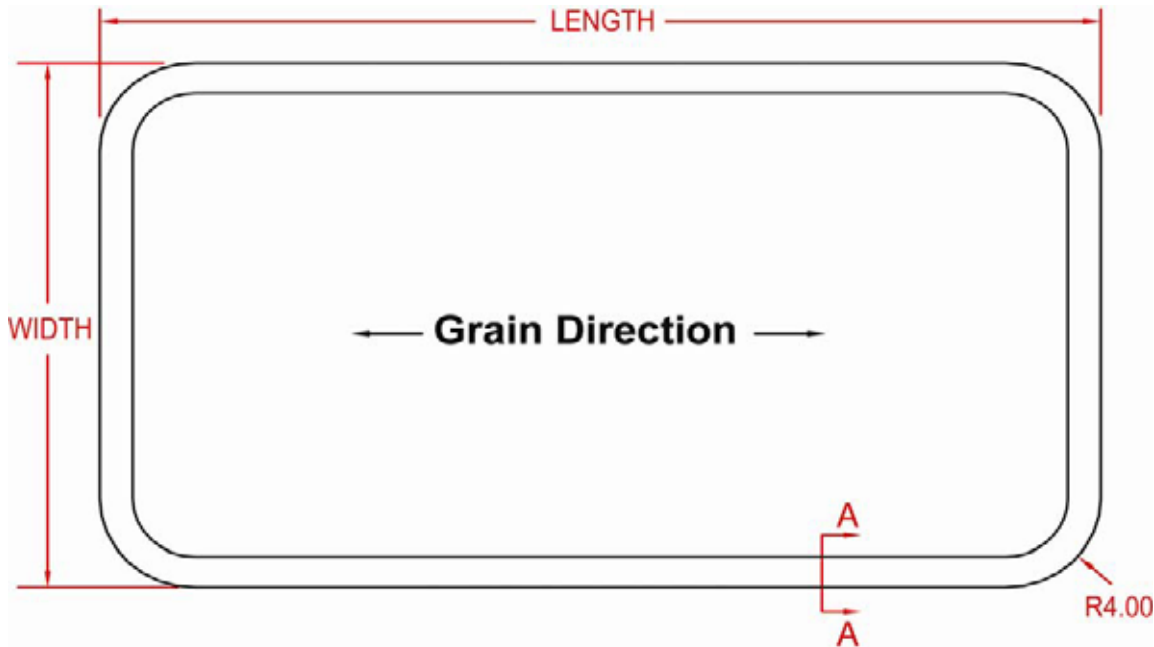
PO# _____ Ordered By _____

BILL TO _____
Address _____
City _____ **St** _____ **Zip** _____
Tel _____ **Fax** _____
E-mail _____

SHIP TO _____
Address _____
City _____ **St** _____ **Zip** _____
Tel _____ **Fax** _____
 Commercial Residential

NCVS-SP-RND

Straight with Profile Around (Round Corners)



Quantity _____

Width _____

Length _____

Specie _____

Notes

- Width Max of 47", Length Max of 96"
- Width Min of 12"
- Length Min of 12"

Primary Profile (A)



- Note: Orders may be electronically forwarded to: orders@northerncontours.com



Veneer Surfaces Order Form

Order Quote Page _____ of _____

Ph: 877.998.1814 Fax: 218.998.1888

Date _____ Job Name _____

E-mail: orders@northerncontours.com

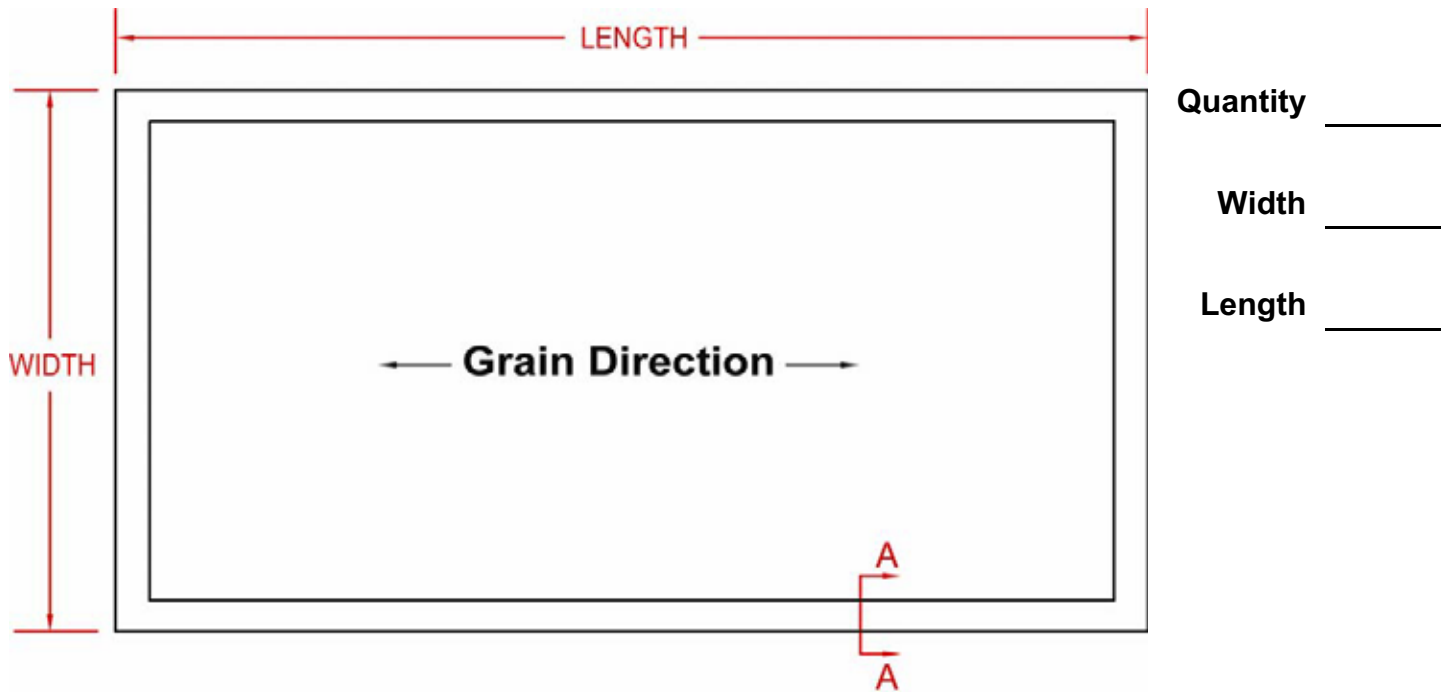
PO# _____ Ordered By _____

BILL TO _____
Address _____
City _____ **St** _____ **Zip** _____
Tel _____ **Fax** _____
E-mail _____

SHIP TO _____
Address _____
City _____ **St** _____ **Zip** _____
Tel _____ **Fax** _____
 Commercial Residential

NCVS-SP-SQ

Straight with Profile Around (Square Corners)

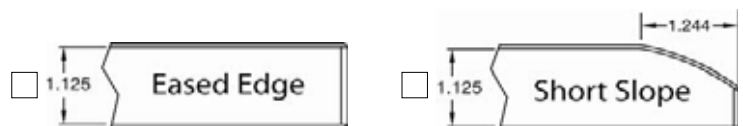


Specie _____

Notes

- Width Max of 47", Length Max of 96"
- Width Min of 12"
- Length Min of 12"

Primary Profile (A)



- Note: Orders may be electronically forwarded to: orders@northerncontours.com



Veneer Surfaces Order Form

Order Quote Page _____ of _____

Ph: 877.998.1814 Fax: 218.998.1888

Date _____ Job Name _____

E-mail: orders@northerncontours.com

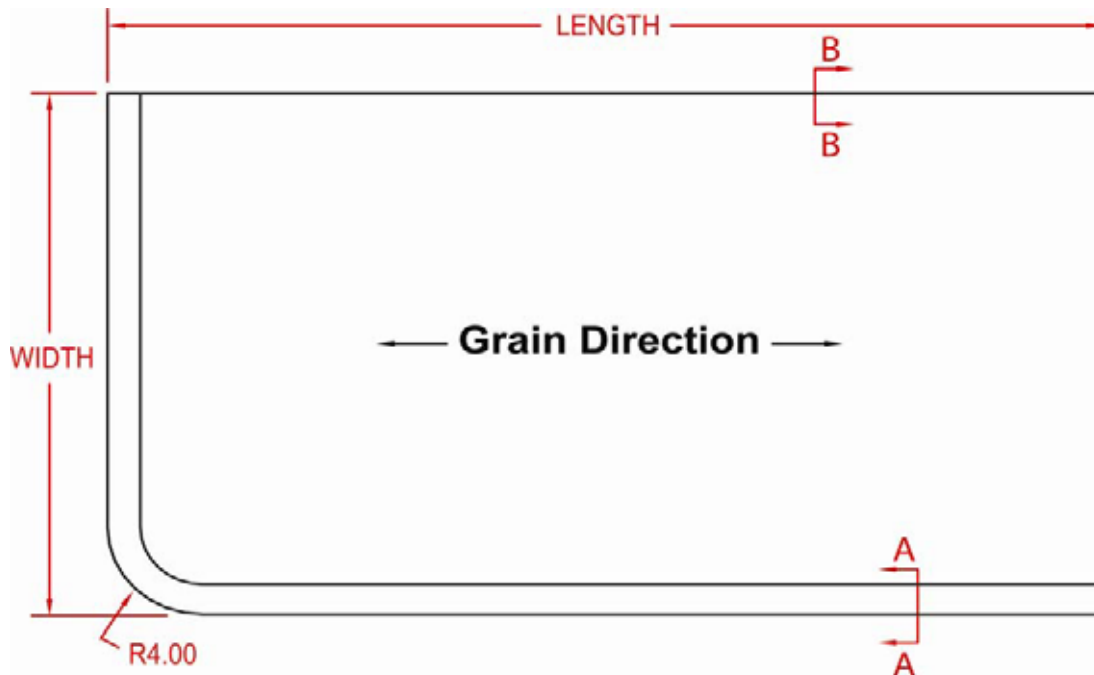
PO# _____ Ordered By _____

BILL TO _____
Address _____
City _____ **St** _____ **Zip** _____
Tel _____ **Fax** _____
E-mail _____

SHIP TO _____
Address _____
City _____ **St** _____ **Zip** _____
Tel _____ **Fax** _____
 Commercial Residential

NCVS-SEL-RND

Straight End - Left (Round Corners)



Quantity _____

Width _____

Length _____

Specie _____

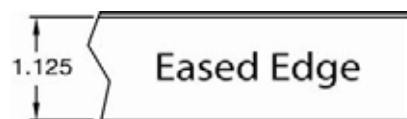
Notes

- Width Max of 47", Length Max of 96"
- Width Min of 12"
- Length Min of 12"

Primary Profile (A)



Secondary Profile (B)



- Note: Orders may be electronically forwarded to: orders@northerncontours.com



Veneer Surfaces Order Form

Order Quote Page _____ of _____

Ph: 877.998.1814 Fax: 218.998.1888

Date _____ Job Name _____

E-mail: orders@northerncontours.com

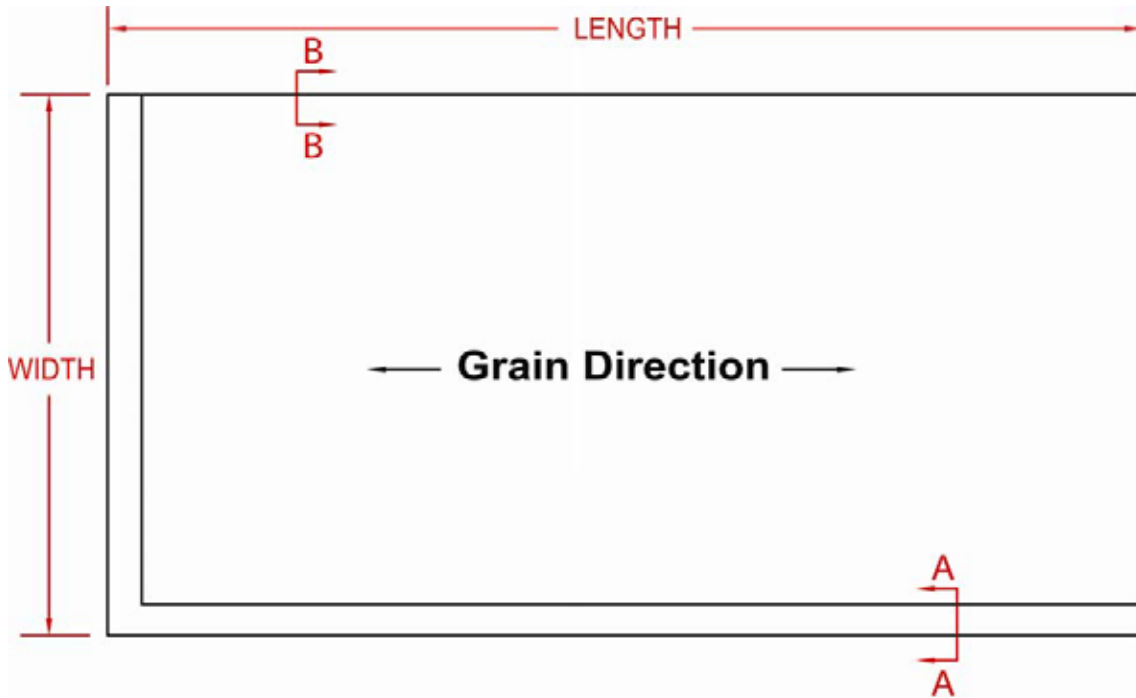
PO# _____ Ordered By _____

BILL TO _____
Address _____
City _____ **St** _____ **Zip** _____
Tel _____ **Fax** _____
E-mail _____

SHIP TO _____
Address _____
City _____ **St** _____ **Zip** _____
Tel _____ **Fax** _____
 Commercial Residential

NCVS-SEL-SQ

Straight End - Left (Square Corners)



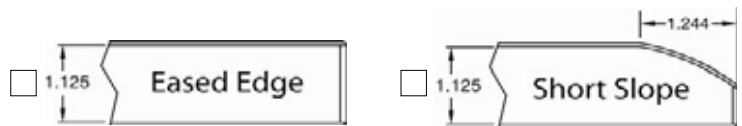
Quantity _____
Width _____
Length _____

Specie _____

Notes

- Width Max of 47", Length Max of 96"
- Width Min of 12"
- Length Min of 12"

Primary Profile (A)



Secondary Profile (B)



- Note: Orders may be electronically forwarded to: orders@northerncontours.com



Veneer Surfaces Order Form

Order Quote Page _____ of _____

Ph: 877.998.1814 Fax: 218.998.1888

Date _____ Job Name _____

E-mail: orders@northerncontours.com

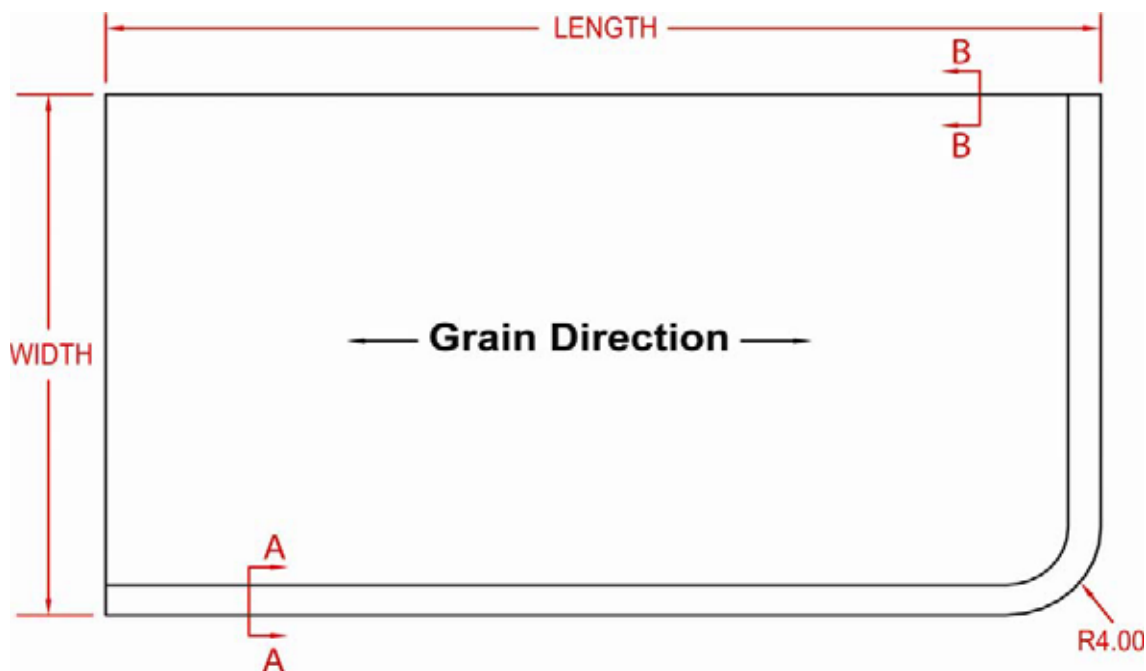
PO# _____ Ordered By _____

BILL TO _____
Address _____
City _____ **St** _____ **Zip** _____
Tel _____ **Fax** _____
E-mail _____

SHIP TO _____
Address _____
City _____ **St** _____ **Zip** _____
Tel _____ **Fax** _____
 Commercial Residential

NCVS-SER-RND

Straight End - Right (Round Corners)



Quantity _____
Width _____
Length _____

Specie _____

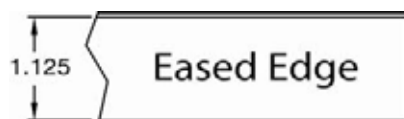
Notes

- Width Max of 47", Length Max of 96"
- Width Min of 12"
- Length Min of 12"

Primary Profile (A)



Secondary Profile (B)



- Note: Orders may be electronically forwarded to: orders@northerncontours.com



Veneer Surfaces Order Form

Order Quote Page _____ of _____

Ph: 877.998.1814 Fax: 218.998.1888

Date _____ Job Name _____

E-mail: orders@northerncontours.com

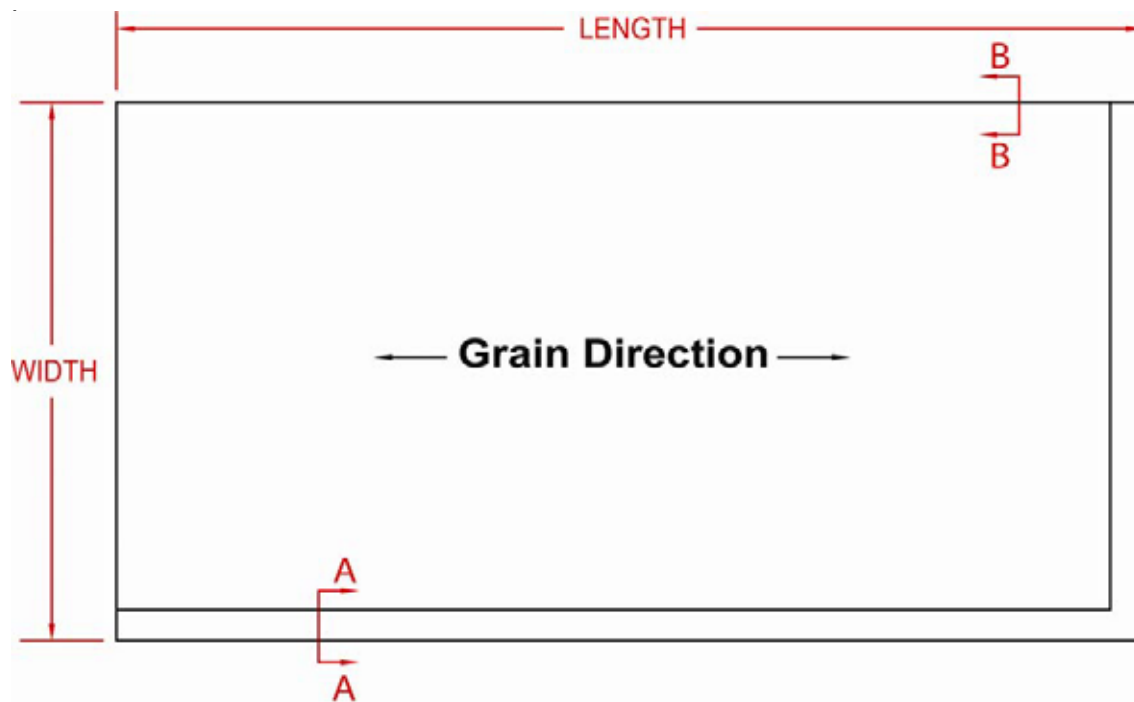
PO# _____ Ordered By _____

BILL TO _____
Address _____
City _____ **St** _____ **Zip** _____
Tel _____ **Fax** _____
E-mail _____

SHIP TO _____
Address _____
City _____ **St** _____ **Zip** _____
Tel _____ **Fax** _____
 Commercial Residential

NCVS-SER-SQ

Straight End - Right (Square Corners)



Quantity _____
Width _____
Length _____

Specie _____

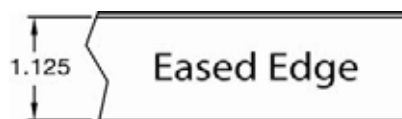
Notes

- Width Max of 47", Length Max of 96"
- Width Min of 12"
- Length Min of 12"

Primary Profile (A)



Secondary Profile (B)



- Note: Orders may be electronically forwarded to: orders@northerncontours.com



Veneer Surfaces Order Form

Order Quote Page _____ of _____

Ph: 877.998.1814 Fax: 218.998.1888

Date _____ Job Name _____

E-mail: orders@northerncontours.com

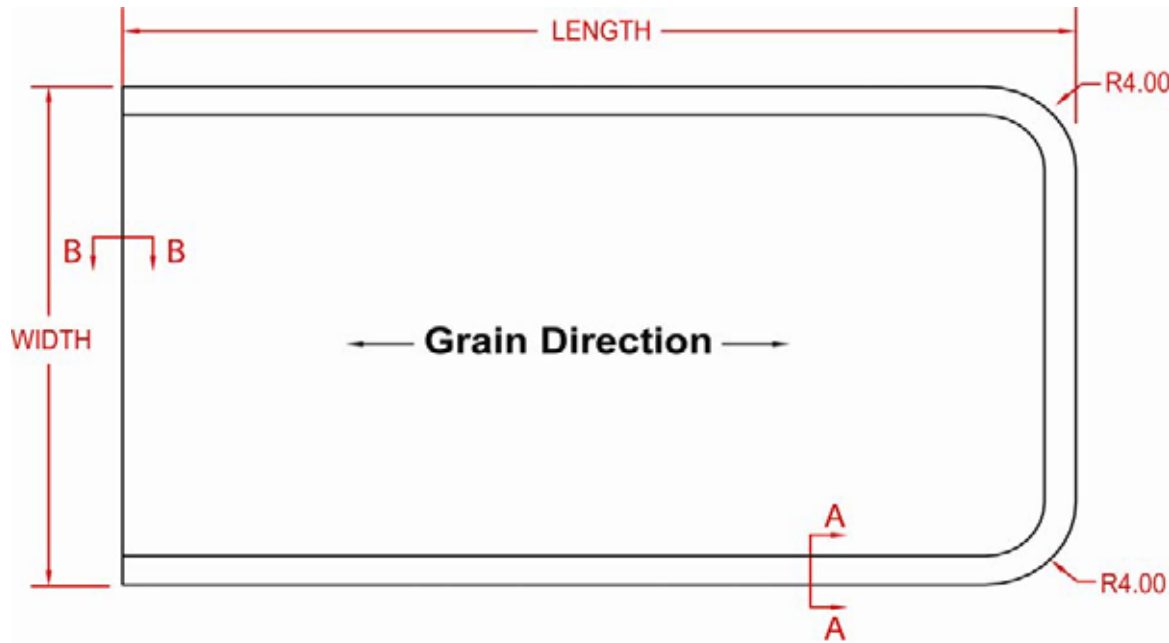
PO# _____ Ordered By _____

BILL TO _____
Address _____
City _____ **St** _____ **Zip** _____
Tel _____ **Fax** _____
E-mail _____

SHIP TO _____
Address _____
City _____ **St** _____ **Zip** _____
Tel _____ **Fax** _____
 Commercial Residential

NCVS-DS-RND

D Shape (Short Profile/Round Corners)



Quantity _____
Width _____
Length _____

Specie _____

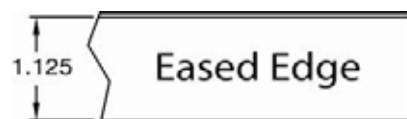
Notes

- Width Max of 47", Length Max of 96"
- Width Min of 12"
- Length Min of 12"

Primary Profile (A)



Secondary Profile (B)



- Note: Orders may be electronically forwarded to: orders@northerncontours.com



Veneer Surfaces Order Form

Order Quote Page _____ of _____

Ph: 877.998.1814 Fax: 218.998.1888

Date _____ Job Name _____

E-mail: orders@northerncontours.com

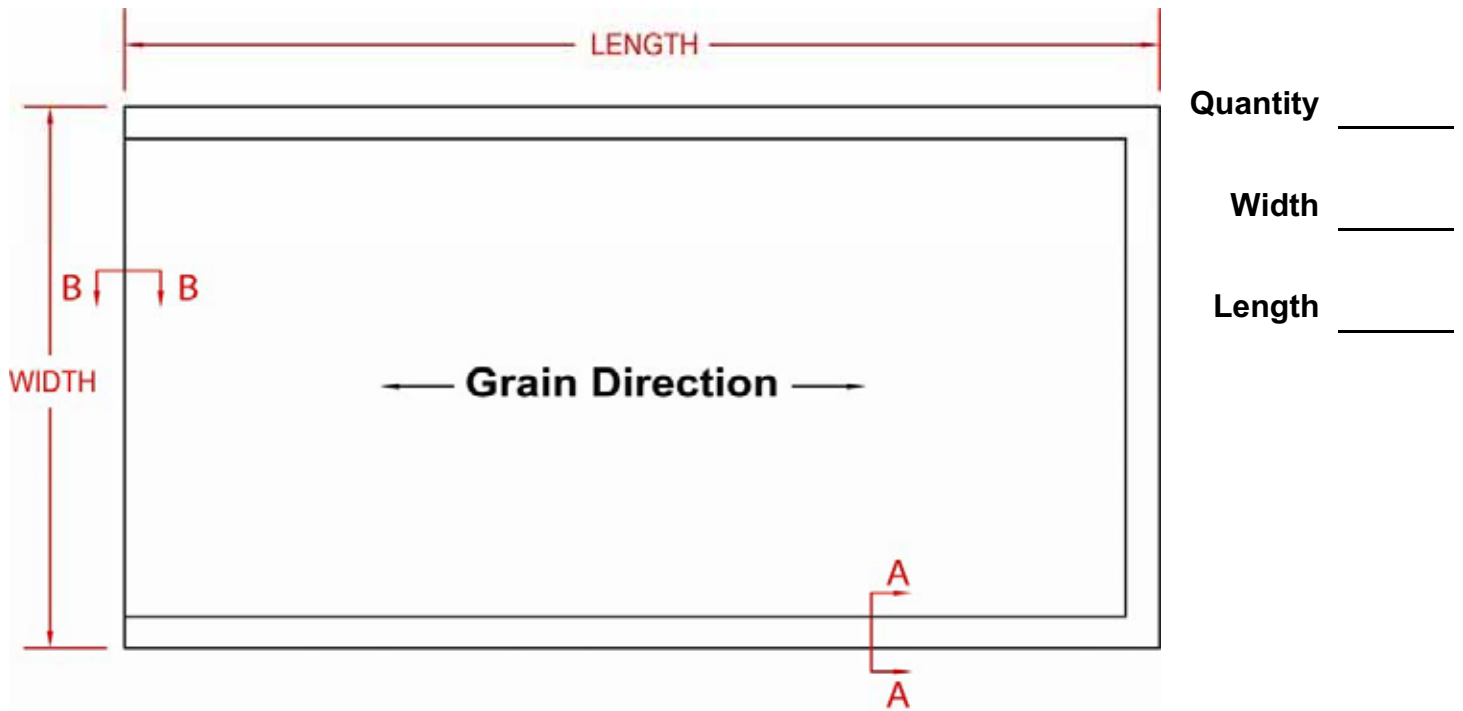
PO# _____ Ordered By _____

BILL TO _____
Address _____
City _____ **St** _____ **Zip** _____
Tel _____ **Fax** _____
E-mail _____

SHIP TO _____
Address _____
City _____ **St** _____ **Zip** _____
Tel _____ **Fax** _____
 Commercial Residential

NCVS-DS-SQ

D Shape (Short Profile/Square Corners)



Specie _____

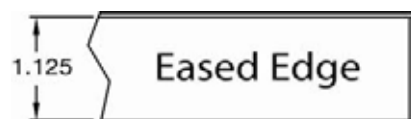
Notes

- Width Max of 47", Length Max of 96"
- Width Min of 12"
- Length Min of 12"

Primary Profile (A)



Secondary Profile (B)



- Note: Orders may be electronically forwarded to: orders@northerncontours.com



Veneer Surfaces Order Form

Order Quote Page _____ of _____

Ph: 877.998.1814 Fax: 218.998.1888

Date _____ Job Name _____

E-mail: orders@northerncontours.com

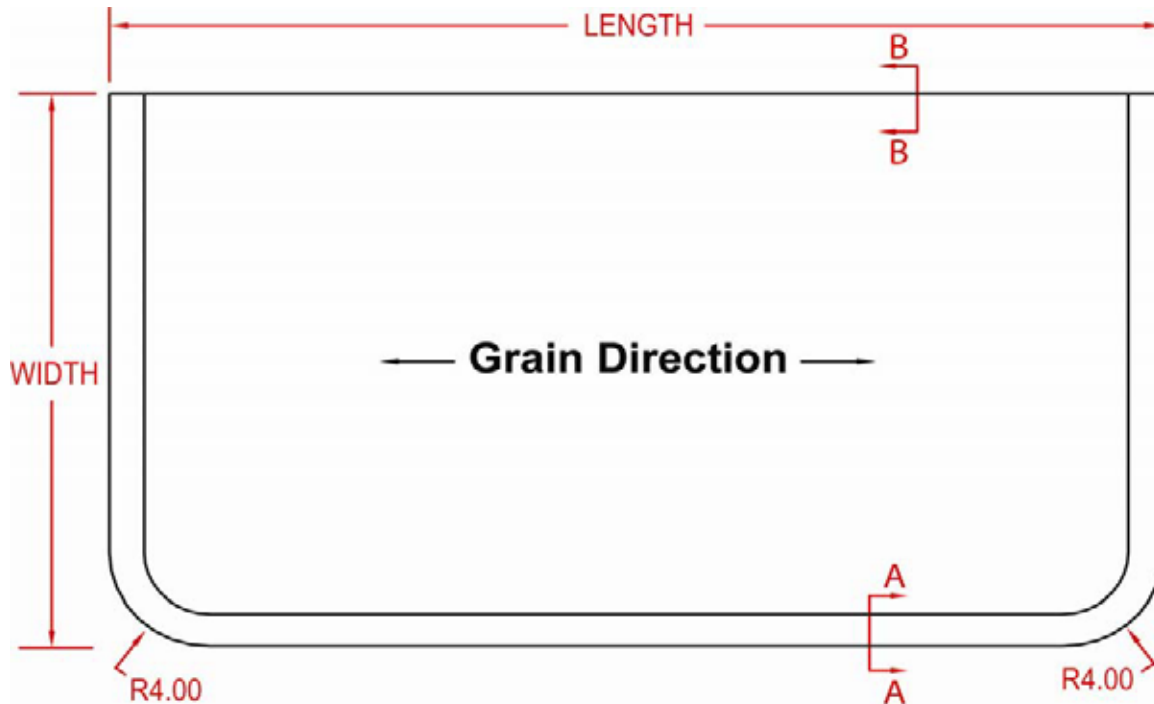
PO# _____ Ordered By _____

BILL TO _____
Address _____
City _____ **St** _____ **Zip** _____
Tel _____ **Fax** _____
E-mail _____

SHIP TO _____
Address _____
City _____ **St** _____ **Zip** _____
Tel _____ **Fax** _____
 Commercial Residential

NCVS-DL-RND

D Shape (Long Profile/Round Corners)



Quantity _____
Width _____
Length _____

Specie _____

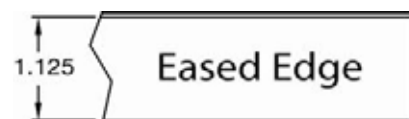
Notes

- Width Max of 47", Length Max of 96"
- Width Min of 12"
- Length Min of 12"

Primary Profile (A)



Secondary Profile (B)



- Note: Orders may be electronically forwarded to: orders@northerncontours.com



Veneer Surfaces Order Form

Order Quote Page _____ of _____

Ph: 877.998.1814 Fax: 218.998.1888

Date _____ Job Name _____

E-mail: orders@northerncontours.com

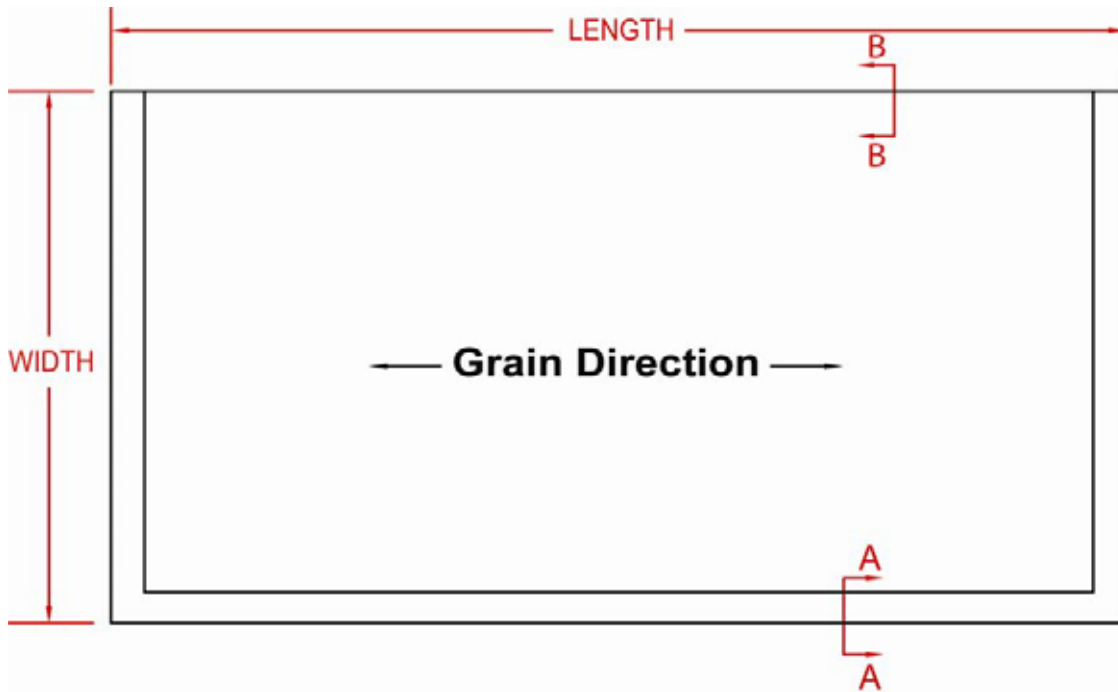
PO# _____ Ordered By _____

BILL TO _____
Address _____
City _____ **St** _____ **Zip** _____
Tel _____ **Fax** _____
E-mail _____

SHIP TO _____
Address _____
City _____ **St** _____ **Zip** _____
Tel _____ **Fax** _____
 Commercial Residential

NCVS-DL-SQ

D Shape (Long Profile/Square Corners)



Quantity _____

Width _____

Length _____

Specie _____

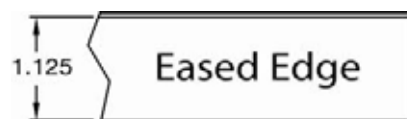
Notes

- Width Max of 47", Length Max of 96"
- Width Min of 12"
- Length Min of 12"

Primary Profile (A)



Secondary Profile (B)



- Note: Orders may be electronically forwarded to: orders@northerncontours.com



Veneer Surfaces Order Form

Order Quote Page _____ of _____

Ph: 877.998.1814 Fax: 218.998.1888

Date _____ Job Name _____

E-mail: orders@northerncontours.com

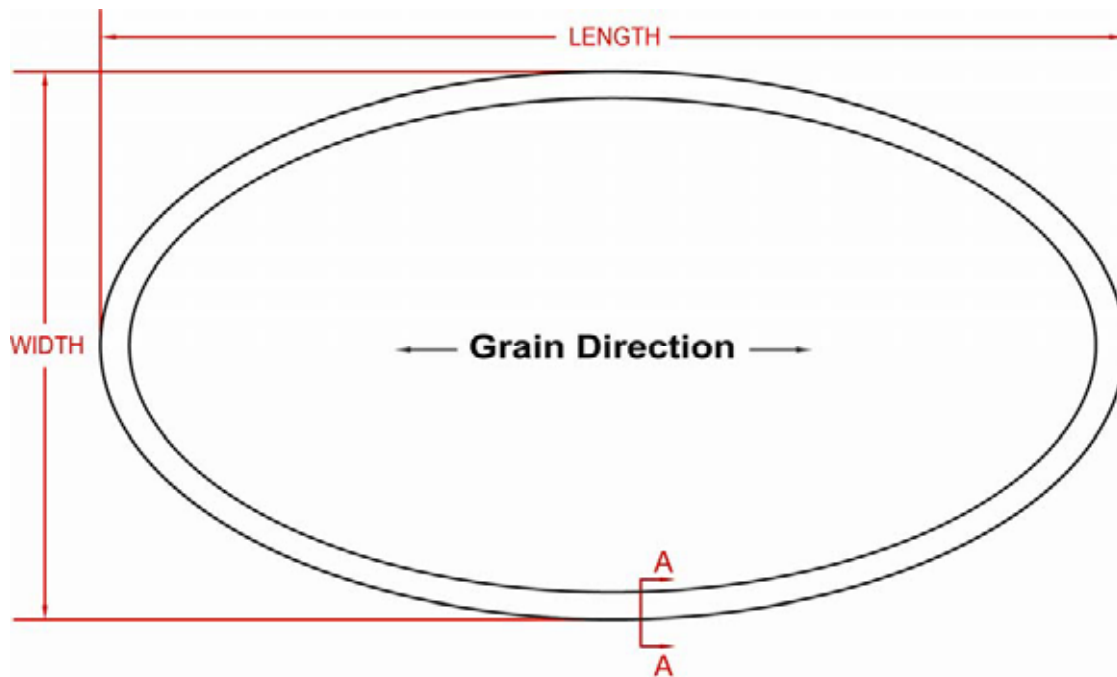
PO# _____ Ordered By _____

BILL TO _____
Address _____
City _____ **St** _____ **Zip** _____
Tel _____ **Fax** _____
E-mail _____

SHIP TO _____
Address _____
City _____ **St** _____ **Zip** _____
Tel _____ **Fax** _____
 Commercial Residential

NCVS-OVAL

Oval



Quantity _____

Width _____

Length _____

Specie _____

Notes

- Width Max of 47", Length Max of 96"
- Width Min of 12"
- Length Min of 12"

Primary Profile (A)



- Note: Orders may be electronically forwarded to: orders@northerncontours.com



Veneer Surfaces Order Form

Order Quote Page _____ of _____

Ph: 877.998.1814 Fax: 218.998.1888

Date _____ Job Name _____

E-mail: orders@northerncontours.com

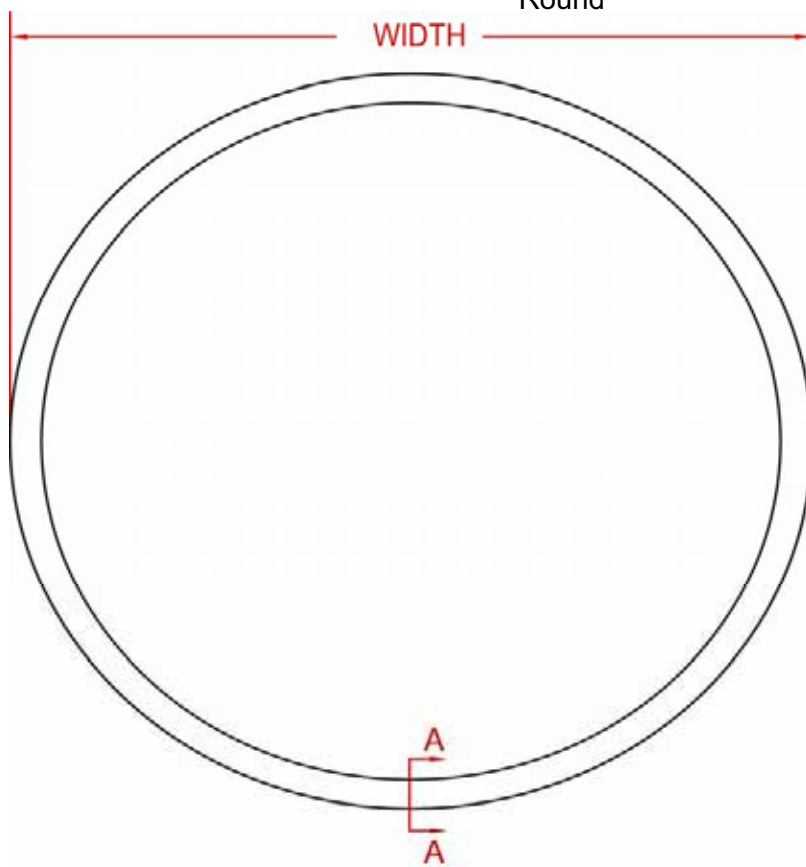
PO# _____ Ordered By _____

BILL TO _____
Address _____
City _____ **St** _____ **Zip** _____
Tel _____ **Fax** _____
E-mail _____

SHIP TO _____
Address _____
City _____ **St** _____ **Zip** _____
Tel _____ **Fax** _____
 Commercial Residential

NCVS-RND

Round



Quantity _____

Width _____

Specie _____

Notes

- Diameter Max of 47"
- Diameter Min of 12"

Primary Profile (A)



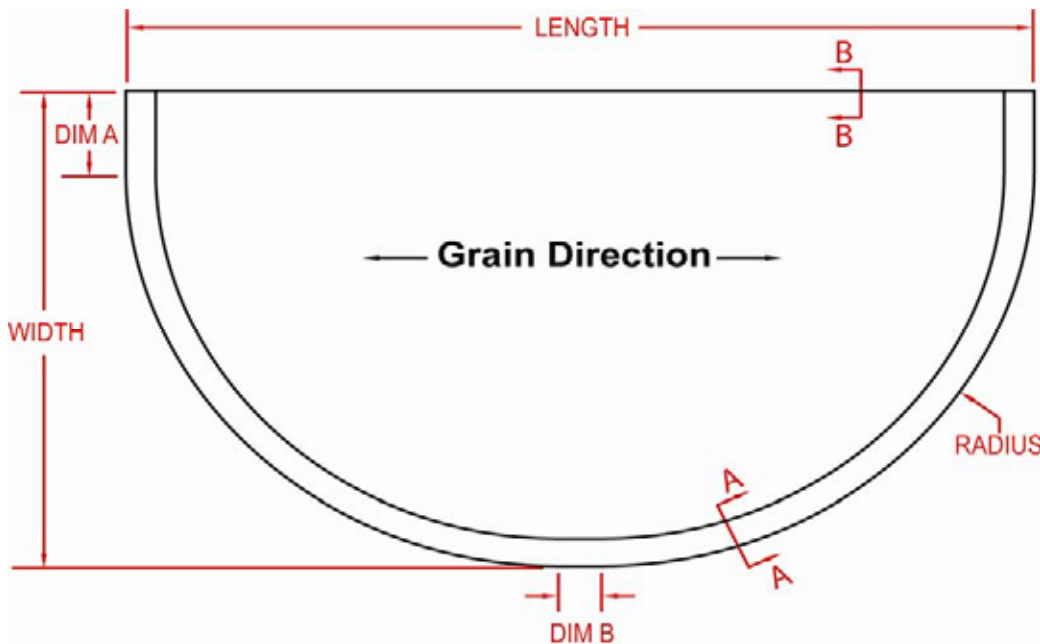
- Note: Orders may be electronically forwarded to: orders@northerncontours.com

BILL TO _____
Address _____
City _____ **St** _____ **Zip** _____
Tel _____ **Fax** _____
E-mail _____

SHIP TO _____
Address _____
City _____ **St** _____ **Zip** _____
Tel _____ **Fax** _____
 Commercial Residential

NCVS-HR

Half Round



Quantity _____
Width _____
Length _____

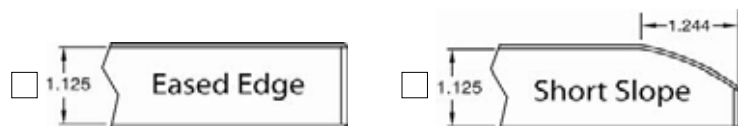
Specie _____

Notes

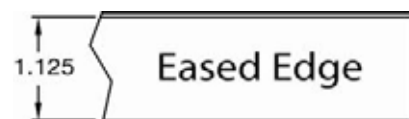
- Width Max of 47", Length Max of 96"
- Width Min of 12"
- Length Min of 12"
- Dim A & Dim B to Vary with Length and Width
- Radius Varies with Length and Width

- Note: Orders may be electronically forwarded to:
 orders@northerncontours.com

Primary Profile (A)



Secondary Profile (B)





Veneer Surfaces Order Form

Order Quote Page _____ of _____

Ph: 877.998.1814 Fax: 218.998.1888

Date _____ Job Name _____

E-mail: orders@northerncontours.com

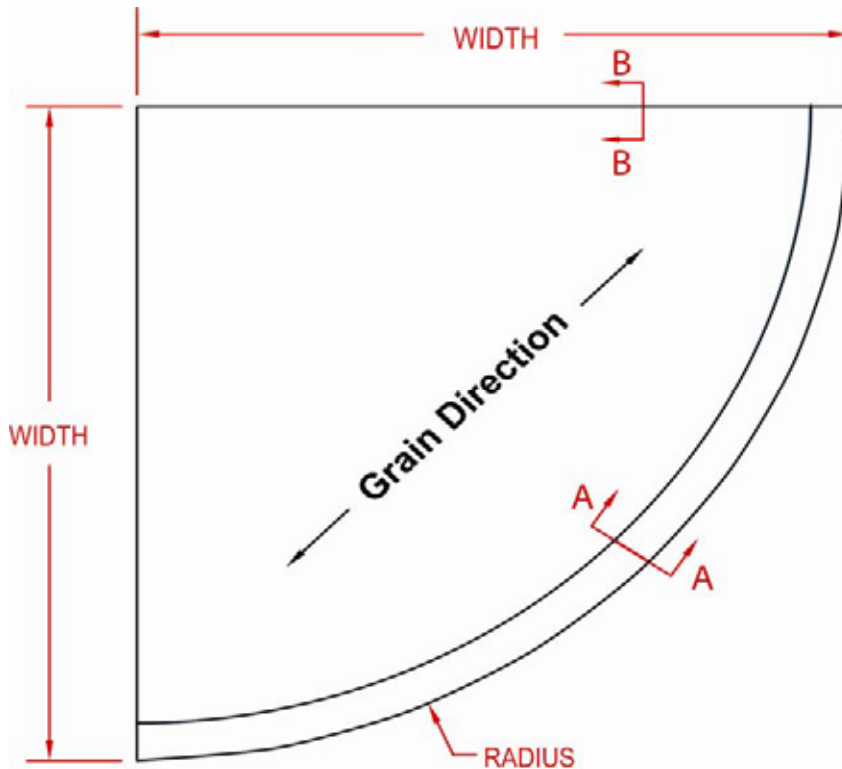
PO# _____ Ordered By _____

BILL TO _____
Address _____
City _____ **St** _____ **Zip** _____
Tel _____ **Fax** _____
E-mail _____

SHIP TO _____
Address _____
City _____ **St** _____ **Zip** _____
Tel _____ **Fax** _____
 Commercial Residential

NCVS-QTRR

Quarter Round



Quantity _____

Width _____

Specie _____

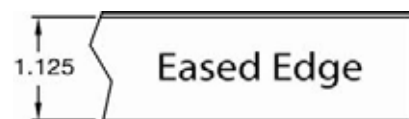
Notes

- Max Width of 47"
- Width Min = 12"
- Radius Varies with Size

Primary Profile (A)



Secondary Profile (B)



- Note: Orders may be electronically forwarded to: orders@northerncontours.com



Veneer Surfaces Order Form

Order Quote Page _____ of _____

Ph: 877.998.1814 Fax: 218.998.1888

Date _____ Job Name _____

E-mail: orders@northerncontours.com

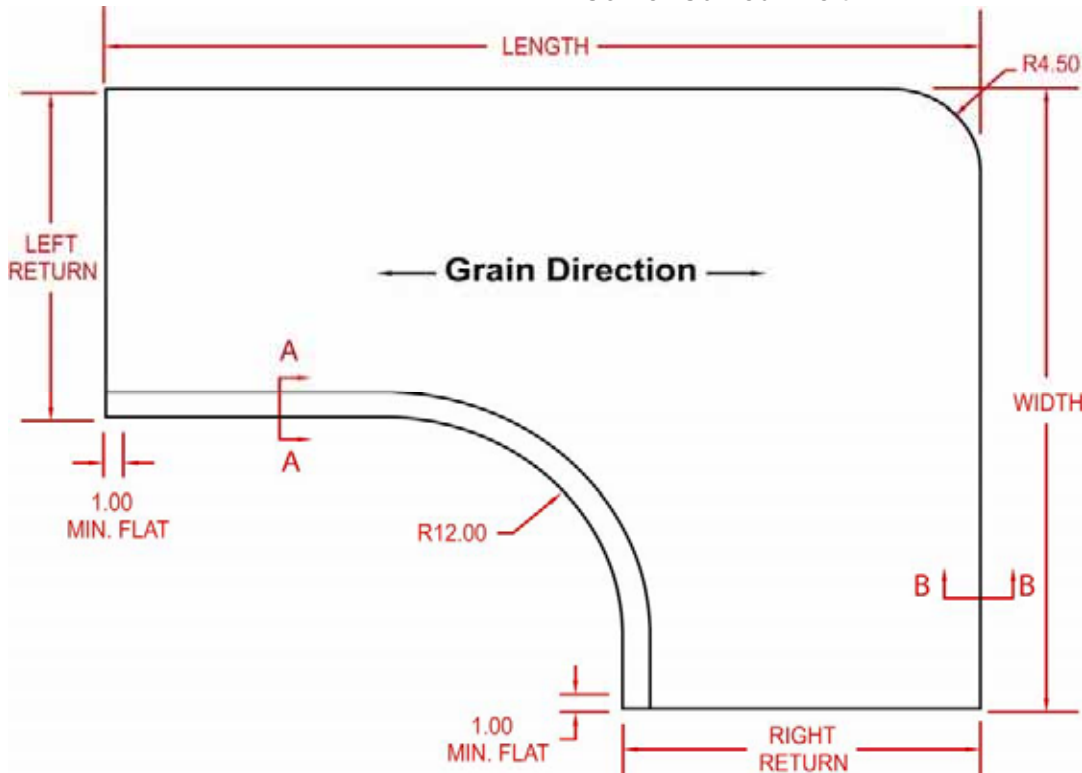
PO# _____ Ordered By _____

BILL TO _____
Address _____
City _____ **St** _____ **Zip** _____
Tel _____ **Fax** _____
E-mail _____

SHIP TO _____
Address _____
City _____ **St** _____ **Zip** _____
Tel _____ **Fax** _____
 Commercial Residential

NCVS-CCL

Corner Curved - Left



Quantity _____
Width _____
Length _____
Left Return _____
Right Return _____

Specie _____

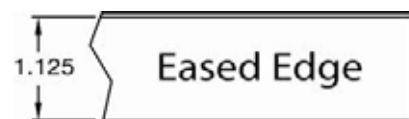
Notes

- Width Max of 47" & Length Max of 96"
- Width Min = Left Return + 13"
- Length Min = Right Return + 13"

Primary Profile (A)



Secondary Profile (B)



- Note: Orders may be electronically forwarded to: orders@northerncontours.com



Veneer Surfaces Order Form

Order Quote Page _____ of _____

Ph: 877.998.1814 Fax: 218.998.1888

Date _____ Job Name _____

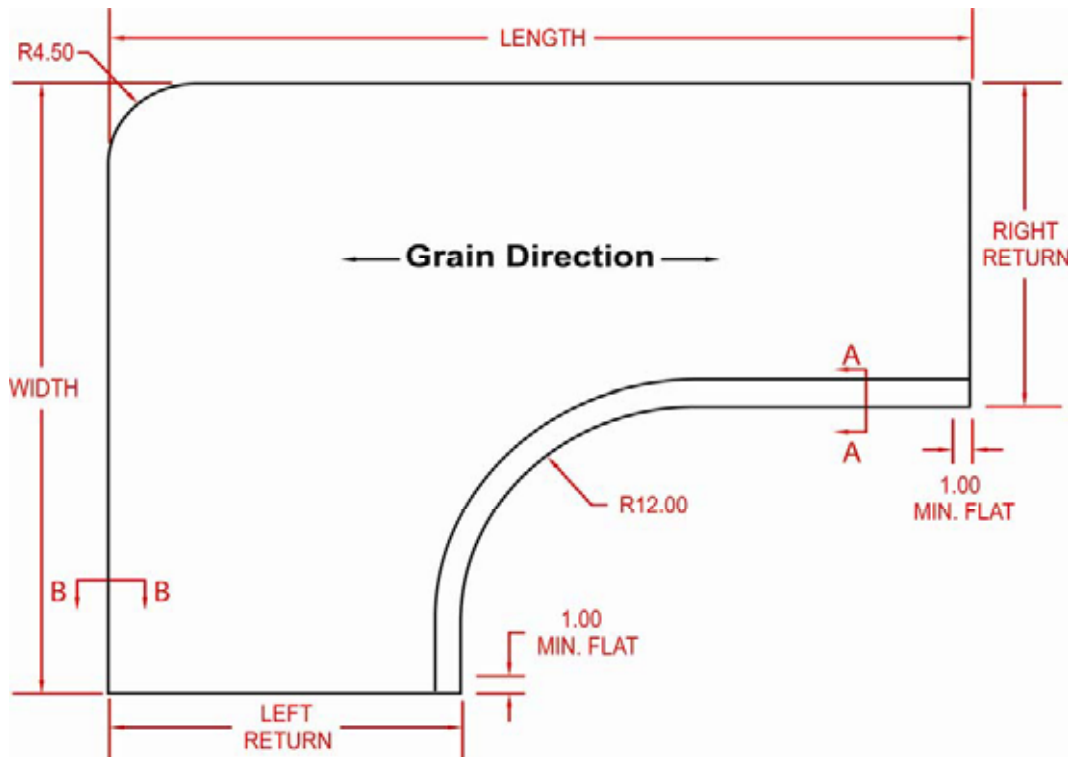
E-mail: orders@northerncontours.com

PO# _____ Ordered By _____

BILL TO _____
Address _____
City _____ **St** _____ **Zip** _____
Tel _____ **Fax** _____
E-mail _____

SHIP TO _____
Address _____
City _____ **St** _____ **Zip** _____
Tel _____ **Fax** _____
 Commercial Residential

NCVS-CCR Corner Curved -Right



Quantity _____
Width _____
Length _____
Left Return _____
Right Return _____

Specie _____

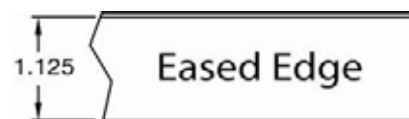
Notes

- Width Max of 47" & Length Max of 96"
- Width Min = Right Return + 13"
- Length Min = Left Return + 13"

Primary Profile (A)



Secondary Profile (B)



- Note: Orders may be electronically forwarded to: orders@northerncontours.com



Veneer Surfaces Order Form

Order Quote Page _____ of _____

Ph: 877.998.1814 Fax: 218.998.1888

Date _____ Job Name _____

E-mail: orders@northerncontours.com

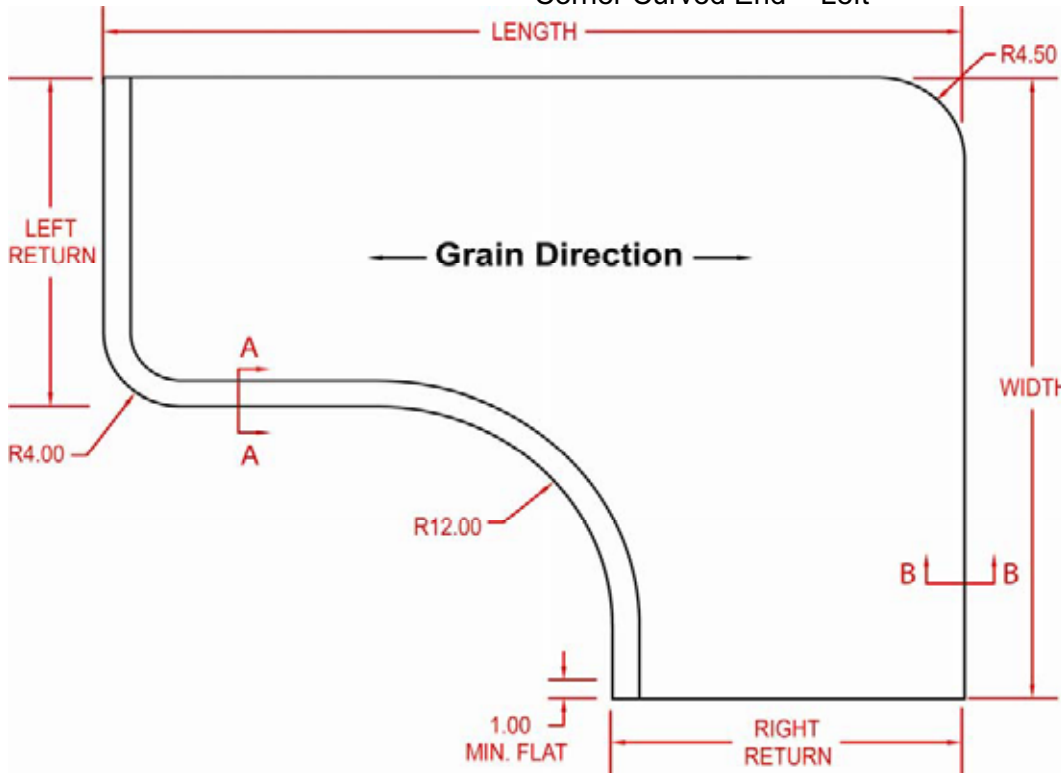
PO# _____ Ordered By _____

BILL TO _____
Address _____
City _____ **St** _____ **Zip** _____
Tel _____ **Fax** _____
E-mail _____

SHIP TO _____
Address _____
City _____ **St** _____ **Zip** _____
Tel _____ **Fax** _____
 Commercial Residential

NCVS-CCEL

Corner Curved End - Left



Quantity _____

Width _____

Length _____

Left Return _____

Right Return _____

Specie _____

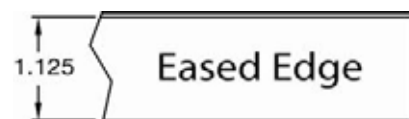
Notes

- Width Max of 47" & Length Max of 96"
- Width Min = Left Return + 13"
- Length Min = Right Return + 16"

Primary Profile (A)



Secondary Profile (B)



- Note: Orders may be electronically forwarded to: orders@northerncontours.com



Veneer Surfaces Order Form

Order Quote Page _____ of _____

Ph: 877.998.1814 Fax: 218.998.1888

Date _____ Job Name _____

E-mail: orders@northerncontours.com

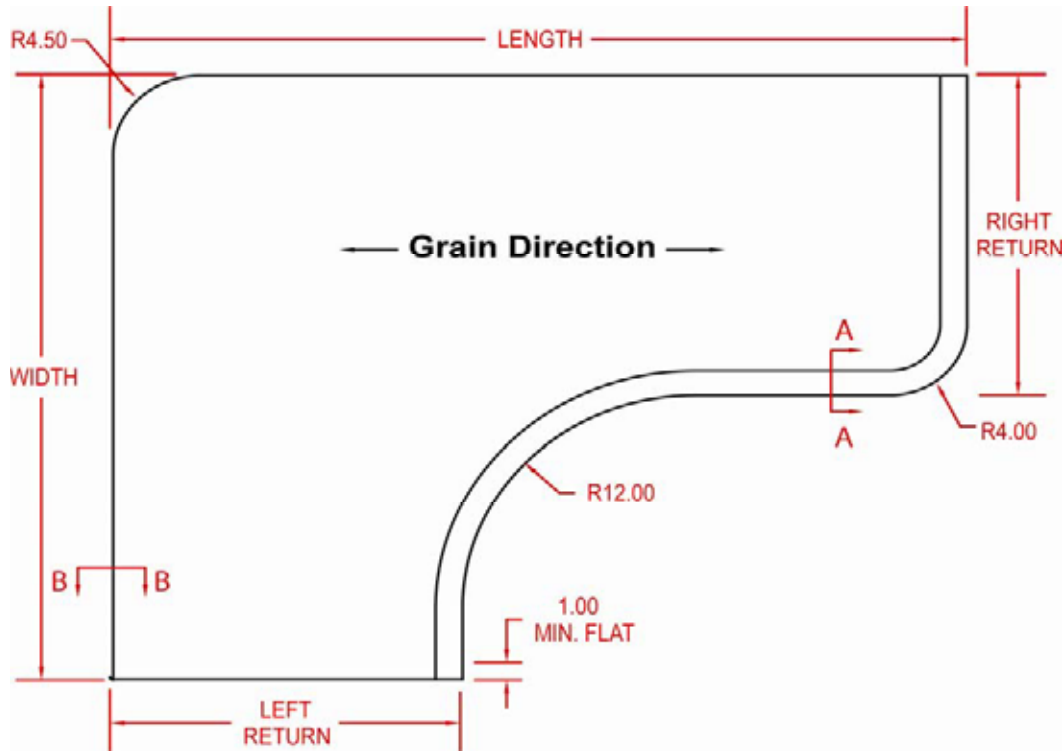
PO# _____ Ordered By _____

BILL TO _____
Address _____
City _____ **St** _____ **Zip** _____
Tel _____ **Fax** _____
E-mail _____

SHIP TO _____
Address _____
City _____ **St** _____ **Zip** _____
Tel _____ **Fax** _____
 Commercial Residential

NCVS-CCER

Corner Curved End - Right



Quantity _____
Width _____
Length _____
Left Return _____
Right Return _____

Specie _____

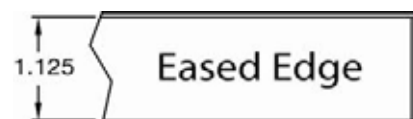
Notes

- Width Max of 47" & Length Max of 96"
- Width Min = Right Return + 13"
- Length Min = Left Return + 16"

Primary Profile (A)



Secondary Profile (B)



- Note: Orders may be electronically forwarded to: orders@northerncontours.com



Veneer Surfaces Order Form

Ph: 877.998.1814 Fax: 218.998.1888

E-mail: orders@northerncontours.com

Order Quote Page _____ of _____

Date _____ Job Name _____

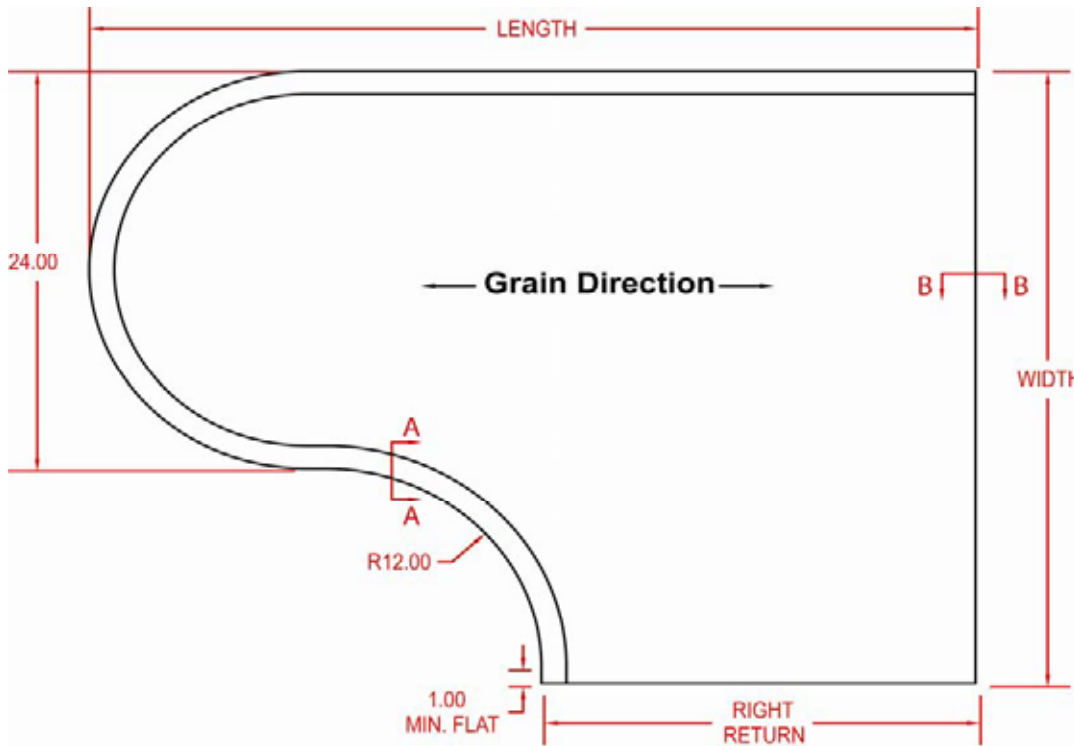
PO# _____ Ordered By _____

BILL TO _____
Address _____
City _____ **St** _____ **Zip** _____
Tel _____ **Fax** _____
E-mail _____

SHIP TO _____
Address _____
City _____ **St** _____ **Zip** _____
Tel _____ **Fax** _____
 Commercial Residential

NCVS-CCBL

Corner Curved Bullet - Left



Quantity _____
Width _____
Length _____
Right Return _____

Specie _____

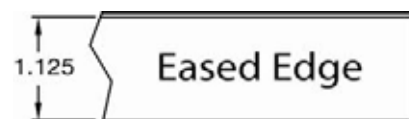
Notes

- Width Max of 47" & Length Max of 96"
- Width Min = 37"
- Length Min = Right Return + 24"

Primary Profile (A)



Secondary Profile (B)



- Note: Orders may be electronically forwarded to: orders@northerncontours.com



Veneer Surfaces Order Form

Ph: 877.998.1814 Fax: 218.998.1888

E-mail: orders@northerncontours.com

Order Quote Page _____ of _____

Date _____ Job Name _____

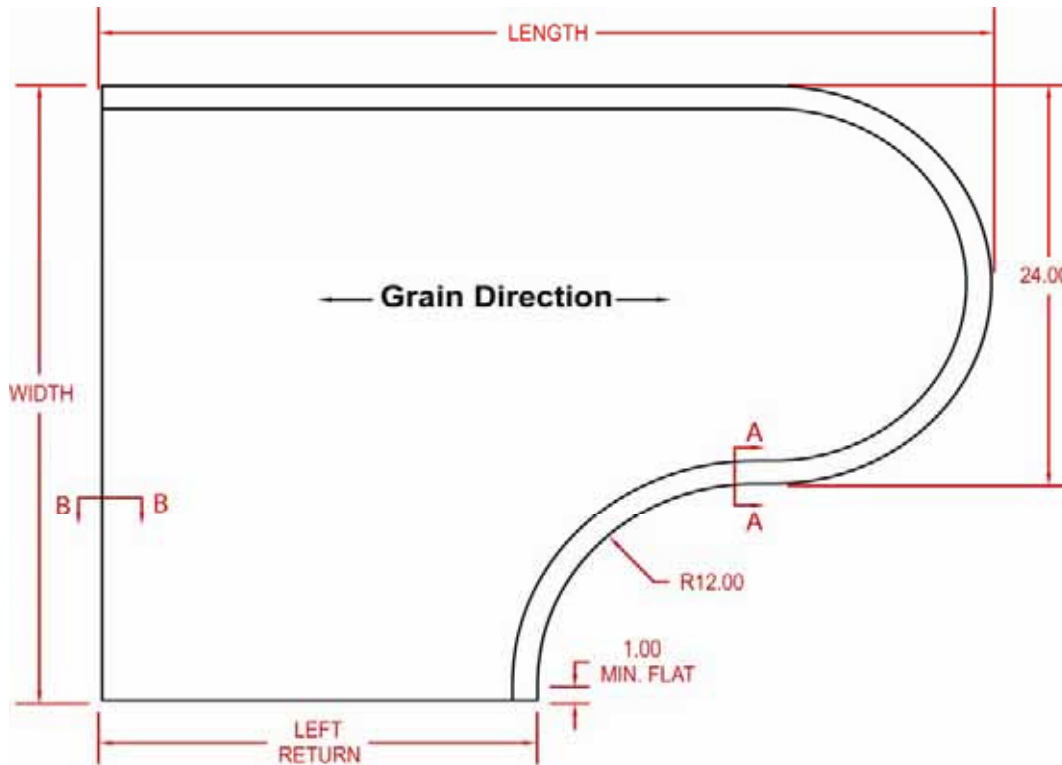
PO# _____ Ordered By _____

BILL TO _____
Address _____
City _____ **St** _____ **Zip** _____
Tel _____ **Fax** _____
E-mail _____

SHIP TO _____
Address _____
City _____ **St** _____ **Zip** _____
Tel _____ **Fax** _____
 Commercial Residential

NCVS-CCBR

Corner Curved Bullet - Right



Quantity _____

Width _____

Length _____

Left Return _____

Specie _____

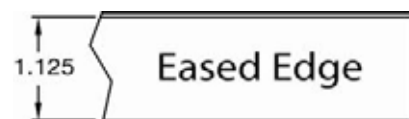
Notes

- Width Max of 47" & Length Max of 96"
- Width Min = 37"
- Length Min = Left Return + 24"

Primary Profile (A)



Secondary Profile (B)



- Note: Orders may be electronically forwarded to: orders@northerncontours.com



Veneer Surfaces Order Form

Ph: 877.998.1814 Fax: 218.998.1888

E-mail: orders@northerncontours.com

Order Quote Page _____ of _____

Date _____ Job Name _____

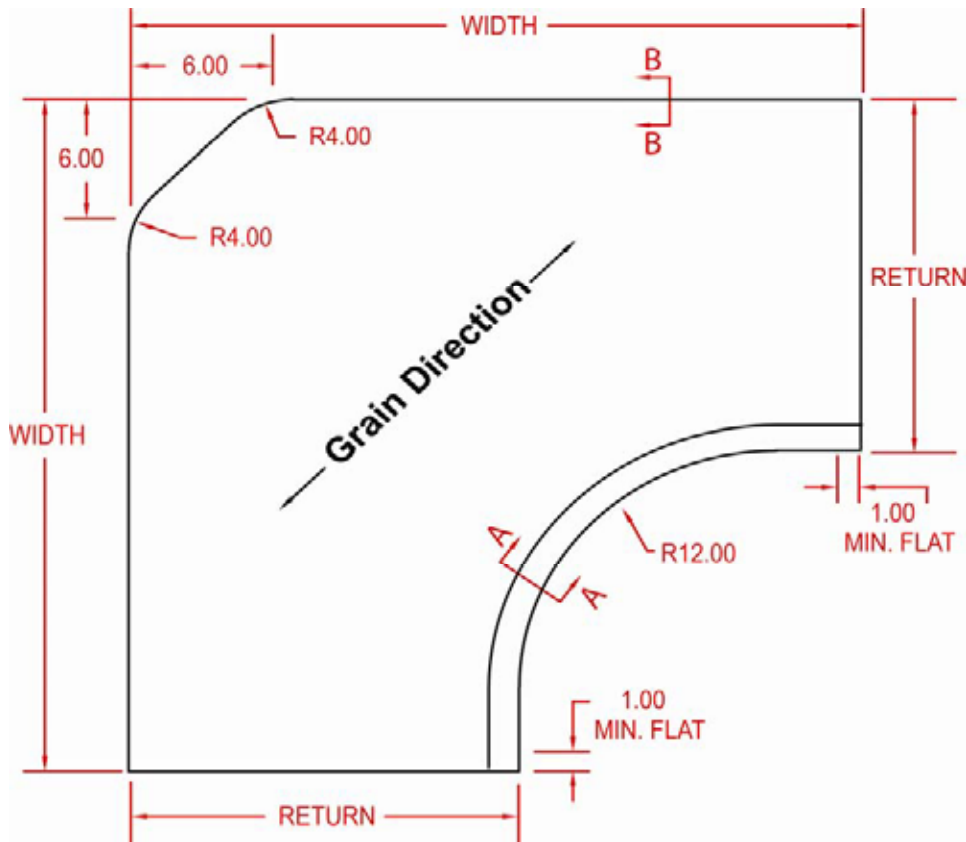
PO# _____ Ordered By _____

BILL TO _____
Address _____
City _____ **St** _____ **Zip** _____
Tel _____ **Fax** _____
E-mail _____

SHIP TO _____
Address _____
City _____ **St** _____ **Zip** _____
Tel _____ **Fax** _____
 Commercial Residential

NCVS-CCD

Corner Curved Diagonal



Quantity _____

Width _____

Return _____

Specie _____

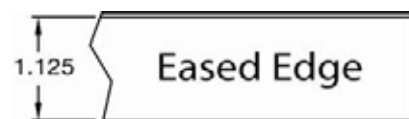
Notes

- Width Max of 48.5" When Return 24"
- Width Max of 43" When Return 30"
- Width Min = Return + 13"

Primary Profile (A)



Secondary Profile (B)



- Note: Orders may be electronically forwarded to: orders@northerncontours.com