



Veneer Surfaces Order Form

Order Quote Page _____ of _____

Ph: 877.998.1814 Fax: 218.998.1888

Date _____ Job Name _____

E-mail: orders@northerncontours.com

PO# _____ Ordered By _____

BILL TO _____
Address _____
City _____ **St** _____ **Zip** _____
Tel _____ **Fax** _____
E-mail _____

SHIP TO _____
Address _____
City _____ **St** _____ **Zip** _____
Tel _____ **Fax** _____
 Commercial Residential

NCVS-CUSTOM Custom Design

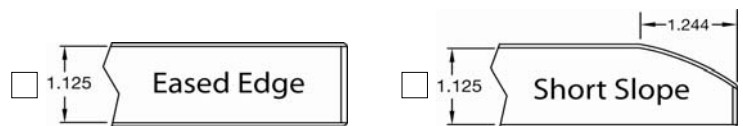
Quantity _____

Specie _____

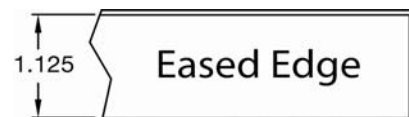
Notes

- Draw custom part above
- 1 part per order form
- Add profile letter (A or B) to all sides
- Dimension all sides
- Indicate grain direction
- Width max of 47", length max of 96"
- Corner radii = broken edge
- Outside corner radii where two profile A's meet = 4" standard
- Inside corner radii 12" min

Primary Profile (A)



Secondary Profile (B)





Veneer Surfaces Order Form

Order Quote Page _____ of _____

Ph: 877.998.1814 Fax: 218.998.1888

Date _____ Job Name _____

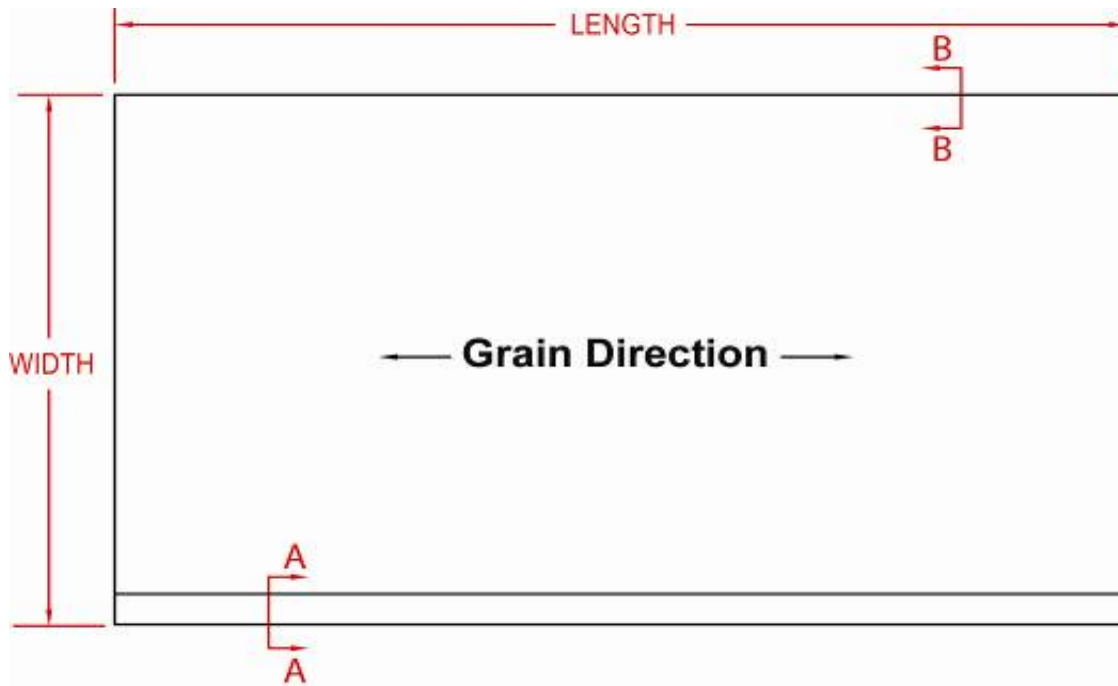
E-mail: orders@northerncontours.com

PO# _____ Ordered By _____

BILL TO _____
Address _____
City _____ **St** _____ **Zip** _____
Tel _____ **Fax** _____
E-mail _____

SHIP TO _____
Address _____
City _____ **St** _____ **Zip** _____
Tel _____ **Fax** _____
 Commercial Residential

NCVS-STRT-SQ Straight (Square Corners)



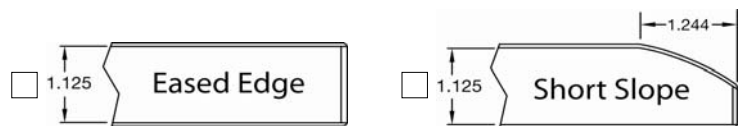
Quantity _____
Width _____
Length _____

Specie _____

Notes

- Width Max of 47", Length Max of 96"
- Width Min of 12"
- Length Min of 12"

Primary Profile (A)



Secondary Profile (B)



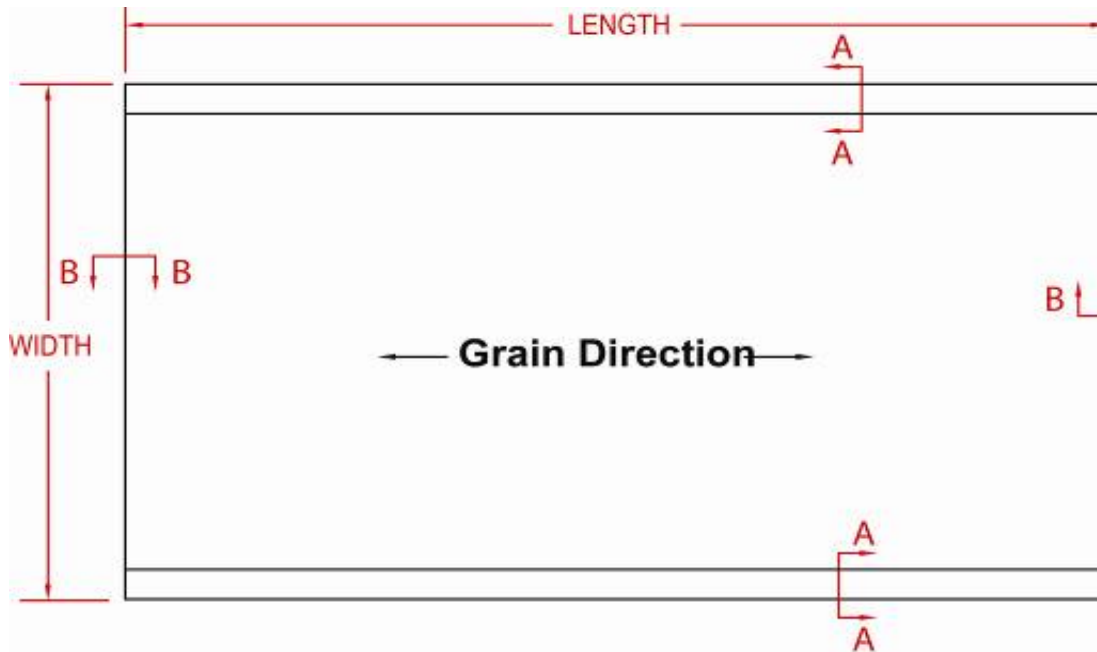
- Note: Orders may be electronically forwarded to: orders@northerncontours.com

BILL TO _____
Address _____
City _____ **St** _____ **Zip** _____
Tel _____ **Fax** _____
E-mail _____

SHIP TO _____
Address _____
City _____ **St** _____ **Zip** _____
Tel _____ **Fax** _____
 Commercial Residential

NCVS-SD-SQ

Straight with Double Profile (Square Corners)



Quantity _____

Width _____

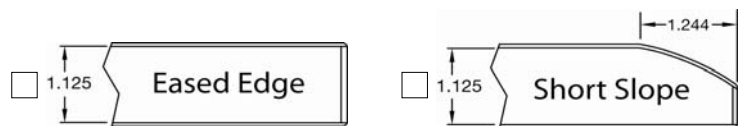
Length _____

Specie _____

Notes

- Width Max of 47", Length Max of 96"
- Width Min of 12"
- Length Min of 12"

Primary Profile (A)



Secondary Profile (B)



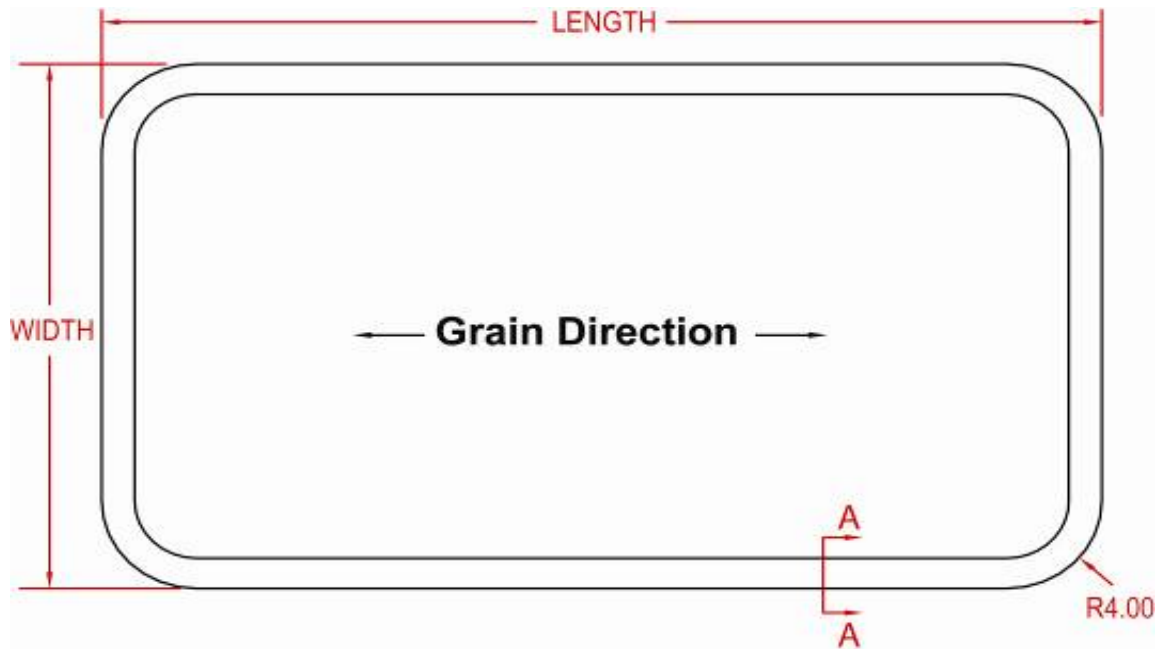
- Note: Orders may be electronically forwarded to:
orders@northerncontours.com

BILL TO _____
Address _____
City _____ **St** _____ **Zip** _____
Tel _____ **Fax** _____
E-mail _____

SHIP TO _____
Address _____
City _____ **St** _____ **Zip** _____
Tel _____ **Fax** _____
 Commercial Residential

NCVS-SP-RND

Straight with Profile Around (Round Corners)



Quantity _____

Width _____

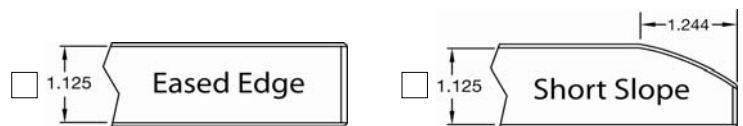
Length _____

Specie _____

Notes

- Width Max of 47", Length Max of 96"
- Width Min of 12"
- Length Min of 12"

Primary Profile (A)



- Note: Orders may be electronically forwarded to:
orders@northerncontours.com



Veneer Surfaces Order Form

Order Quote Page _____ of _____

Ph: 877.998.1814 Fax: 218.998.1888

Date _____ Job Name _____

E-mail: orders@northerncontours.com

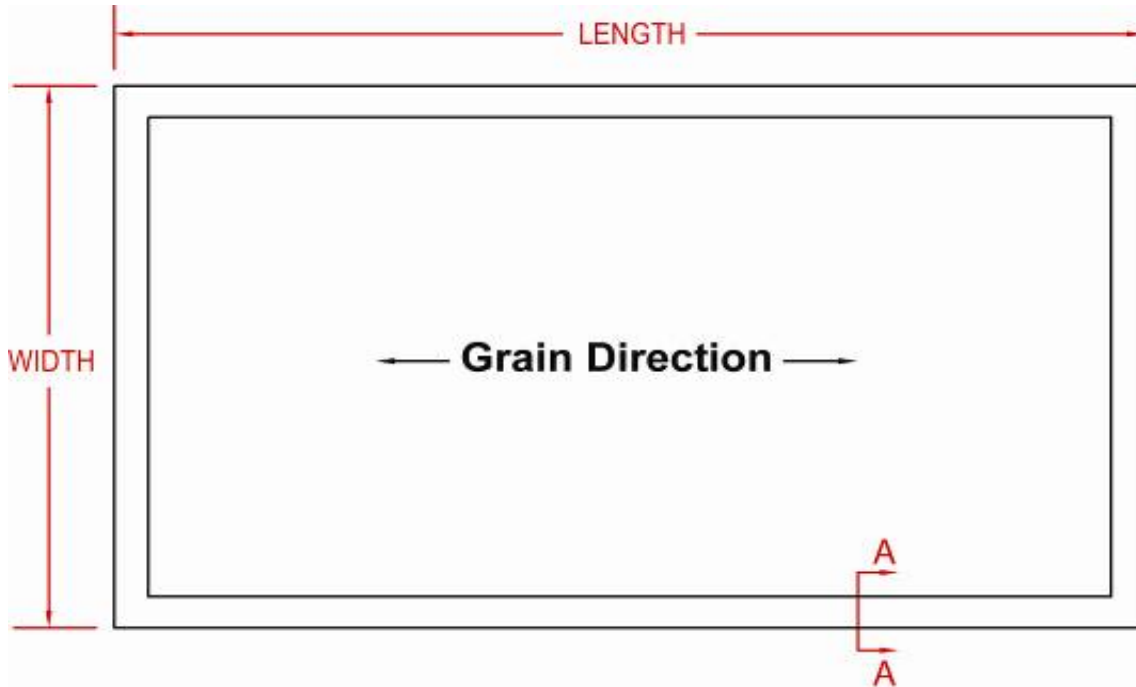
PO# _____ Ordered By _____

BILL TO _____
Address _____
City _____ **St** _____ **Zip** _____
Tel _____ **Fax** _____
E-mail _____

SHIP TO _____
Address _____
City _____ **St** _____ **Zip** _____
Tel _____ **Fax** _____
 Commercial Residential

NCVS-SP-SQ

Straight with Profile Around (Square Corners)



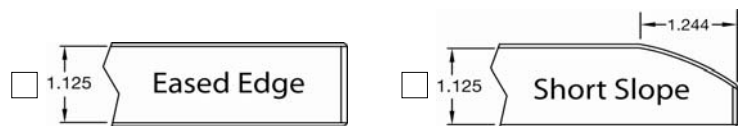
Quantity _____
Width _____
Length _____

Specie _____

Notes

- Width Max of 47", Length Max of 96"
- Width Min of 12"
- Length Min of 12"

Primary Profile (A)



- Note: Orders may be electronically forwarded to: orders@northerncontours.com



Veneer Surfaces Order Form

Order Quote Page _____ of _____

Ph: 877.998.1814 Fax: 218.998.1888

Date _____ Job Name _____

E-mail: orders@northerncontours.com

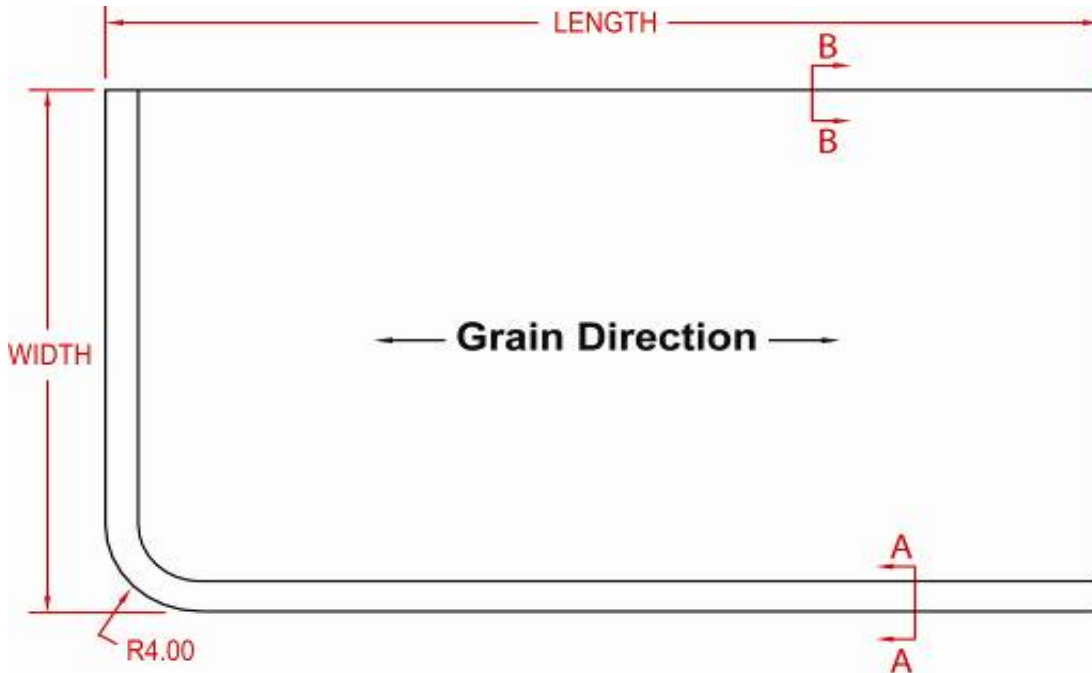
PO# _____ Ordered By _____

BILL TO _____
Address _____
City _____ **St** _____ **Zip** _____
Tel _____ **Fax** _____
E-mail _____

SHIP TO _____
Address _____
City _____ **St** _____ **Zip** _____
Tel _____ **Fax** _____
 Commercial Residential

NCVS-SEL-RND

Straight End - Left (Round Corners)



Quantity _____

Width _____

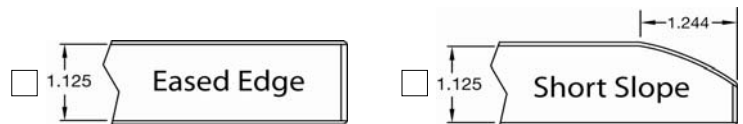
Length _____

Specie _____

Notes

- Width Max of 47", Length Max of 96"
- Width Min of 12"
- Length Min of 12"

Primary Profile (A)



Secondary Profile (B)



- Note: Orders may be electronically forwarded to: orders@northerncontours.com



Veneer Surfaces Order Form

Order Quote Page _____ of _____

Ph: 877.998.1814 Fax: 218.998.1888

Date _____ Job Name _____

E-mail: orders@northerncontours.com

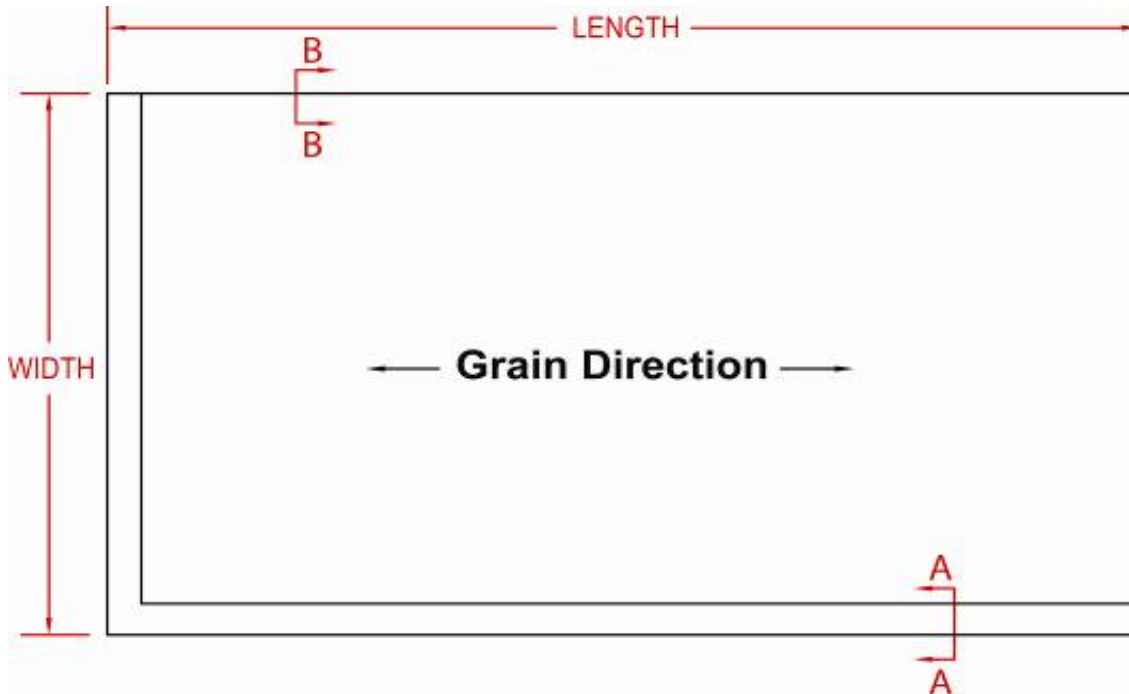
PO# _____ Ordered By _____

BILL TO _____
Address _____
City _____ **St** _____ **Zip** _____
Tel _____ **Fax** _____
E-mail _____

SHIP TO _____
Address _____
City _____ **St** _____ **Zip** _____
Tel _____ **Fax** _____
 Commercial Residential

NCVS-SEL-SQ

Straight End - Left (Square Corners)



Quantity _____

Width _____

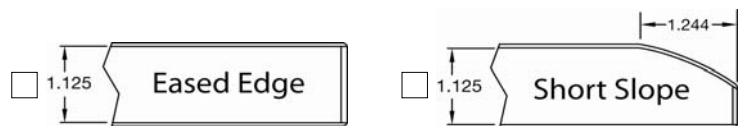
Length _____

Specie _____

Notes

- Width Max of 47", Length Max of 96"
- Width Min of 12"
- Length Min of 12"

Primary Profile (A)



Secondary Profile (B)



- Note: Orders may be electronically forwarded to: orders@northerncontours.com



Veneer Surfaces Order Form

Order Quote Page _____ of _____

Ph: 877.998.1814 Fax: 218.998.1888

Date _____ Job Name _____

E-mail: orders@northerncontours.com

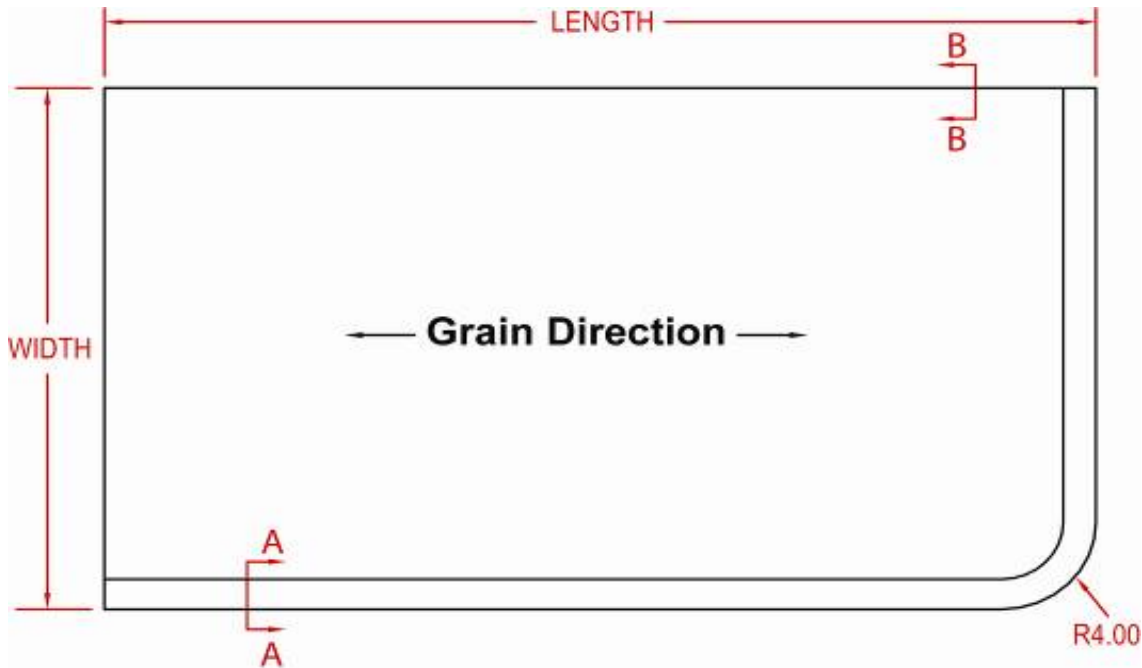
PO# _____ Ordered By _____

BILL TO _____
Address _____
City _____ **St** _____ **Zip** _____
Tel _____ **Fax** _____
E-mail _____

SHIP TO _____
Address _____
City _____ **St** _____ **Zip** _____
Tel _____ **Fax** _____
 Commercial Residential

NCVS-SER-RND

Straight End - Right (Round Corners)



Quantity _____

Width _____

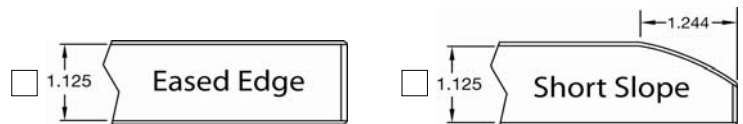
Length _____

Specie _____

Notes

- Width Max of 47", Length Max of 96"
- Width Min of 12"
- Length Min of 12"

Primary Profile (A)



Secondary Profile (B)



- Note: Orders may be electronically forwarded to: orders@northerncontours.com



Veneer Surfaces Order Form

Order Quote Page _____ of _____

Ph: 877.998.1814 Fax: 218.998.1888

Date _____ Job Name _____

E-mail: orders@northerncontours.com

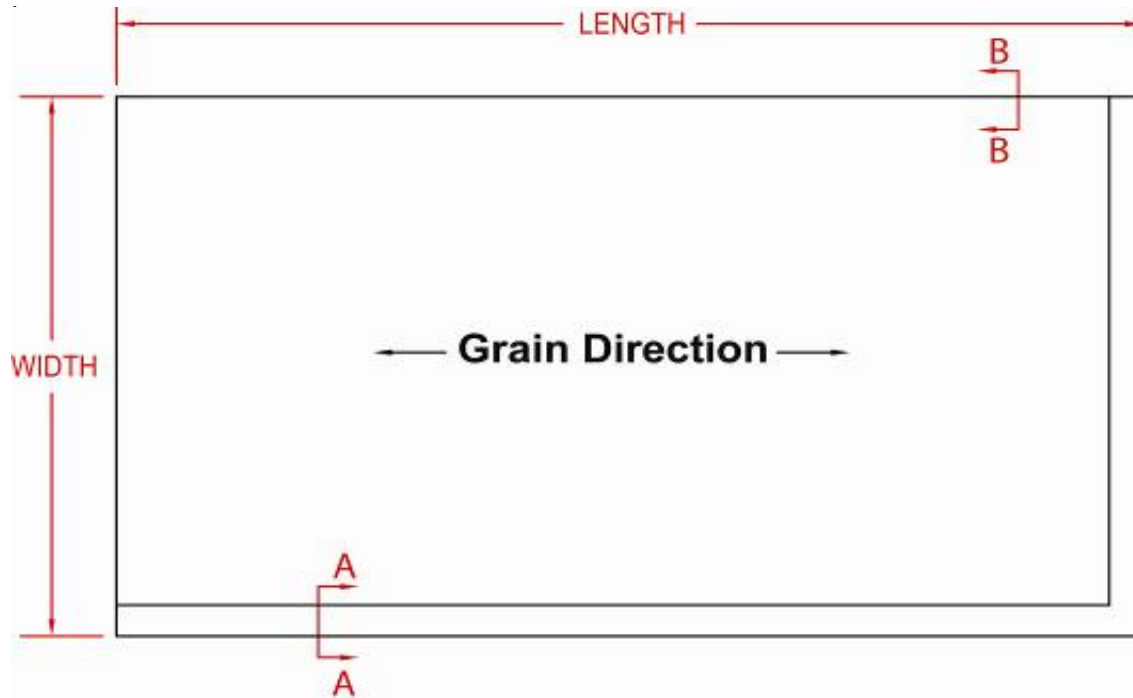
PO# _____ Ordered By _____

BILL TO _____
Address _____
City _____ **St** _____ **Zip** _____
Tel _____ **Fax** _____
E-mail _____

SHIP TO _____
Address _____
City _____ **St** _____ **Zip** _____
Tel _____ **Fax** _____
 Commercial Residential

NCVS-SER-SQ

Straight End - Right (Square Corners)



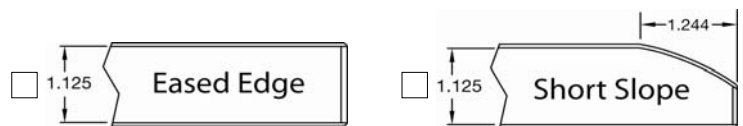
Quantity _____
Width _____
Length _____

Specie _____

Notes

- Width Max of 47", Length Max of 96"
- Width Min of 12"
- Length Min of 12"

Primary Profile (A)



Secondary Profile (B)



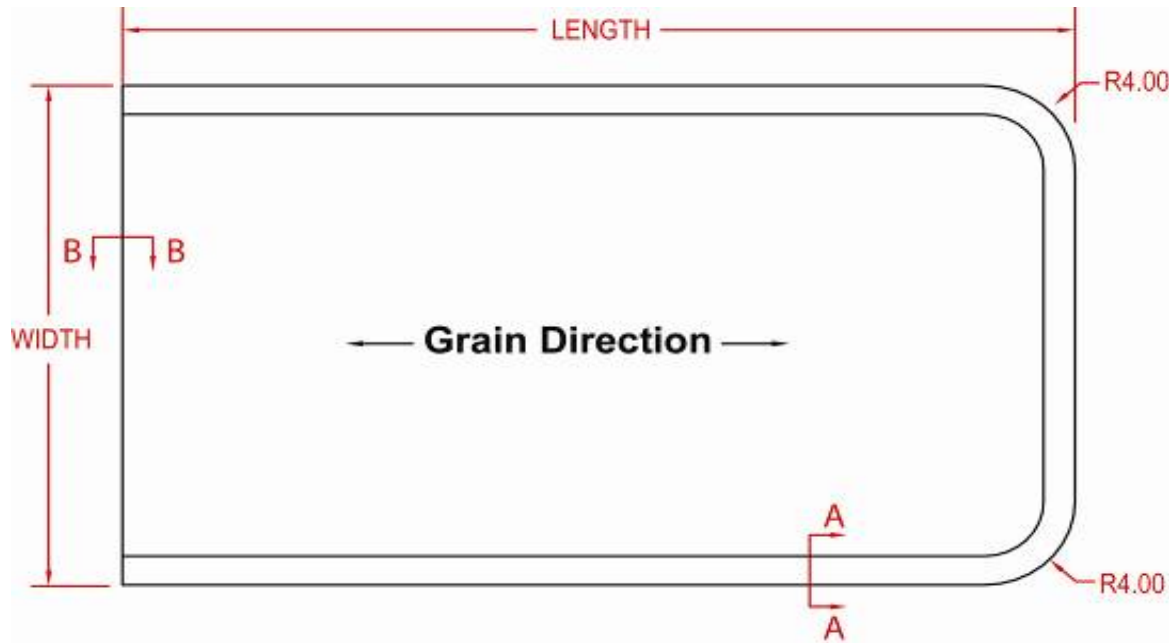
- Note: Orders may be electronically forwarded to: orders@northerncontours.com

BILL TO _____
Address _____
City _____ **St** _____ **Zip** _____
Tel _____ **Fax** _____
E-mail _____

SHIP TO _____
Address _____
City _____ **St** _____ **Zip** _____
Tel _____ **Fax** _____
 Commercial Residential

NCVS-DS-RND

D Shape (Short Profile/Round Corners)



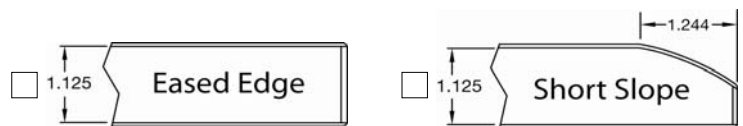
Quantity _____
Width _____
Length _____

Specie _____

Notes

- Width Max of 47", Length Max of 96"
- Width Min of 12"
- Length Min of 12"

Primary Profile (A)



Secondary Profile (B)



- Note: Orders may be electronically forwarded to:
 orders@northerncontours.com



Veneer Surfaces Order Form

Order Quote Page _____ of _____

Ph: 877.998.1814 Fax: 218.998.1888

Date _____ Job Name _____

E-mail: orders@northerncontours.com

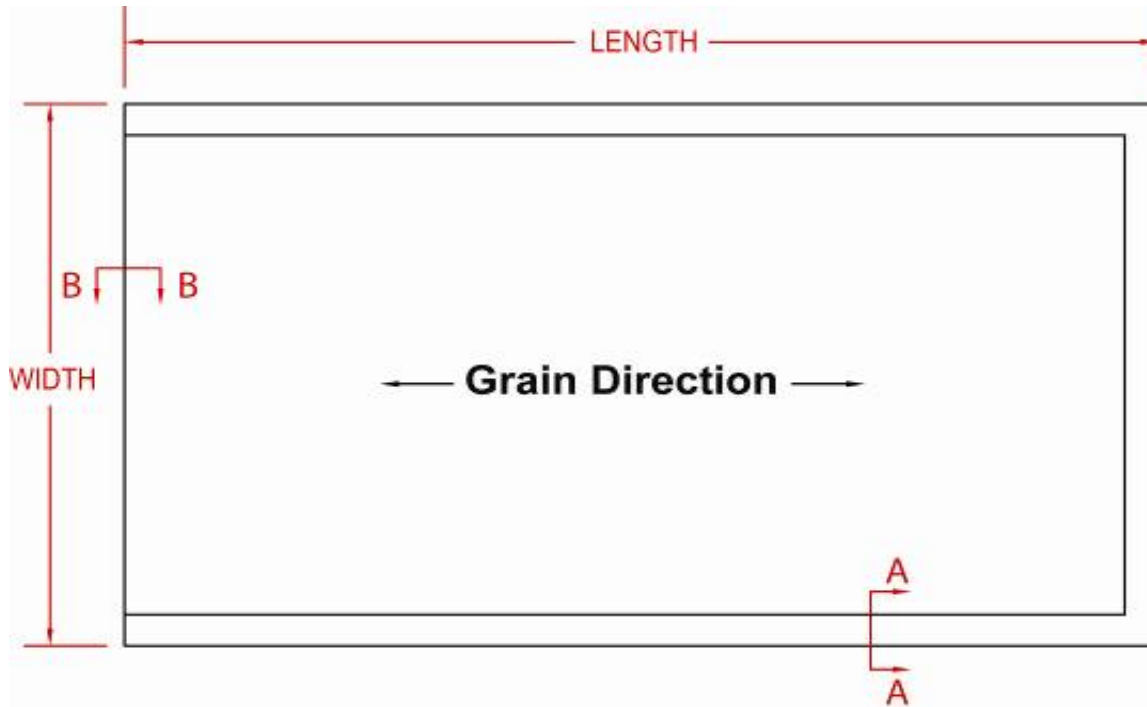
PO# _____ Ordered By _____

BILL TO _____
Address _____
City _____ **St** _____ **Zip** _____
Tel _____ **Fax** _____
E-mail _____

SHIP TO _____
Address _____
City _____ **St** _____ **Zip** _____
Tel _____ **Fax** _____
 Commercial Residential

NCVS-DS-SQ

D Shape (Short Profile/Square Corners)



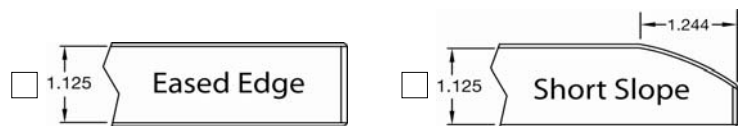
Quantity _____
Width _____
Length _____

Specie _____

Notes

- Width Max of 47", Length Max of 96"
- Width Min of 12"
- Length Min of 12"

Primary Profile (A)



Secondary Profile (B)



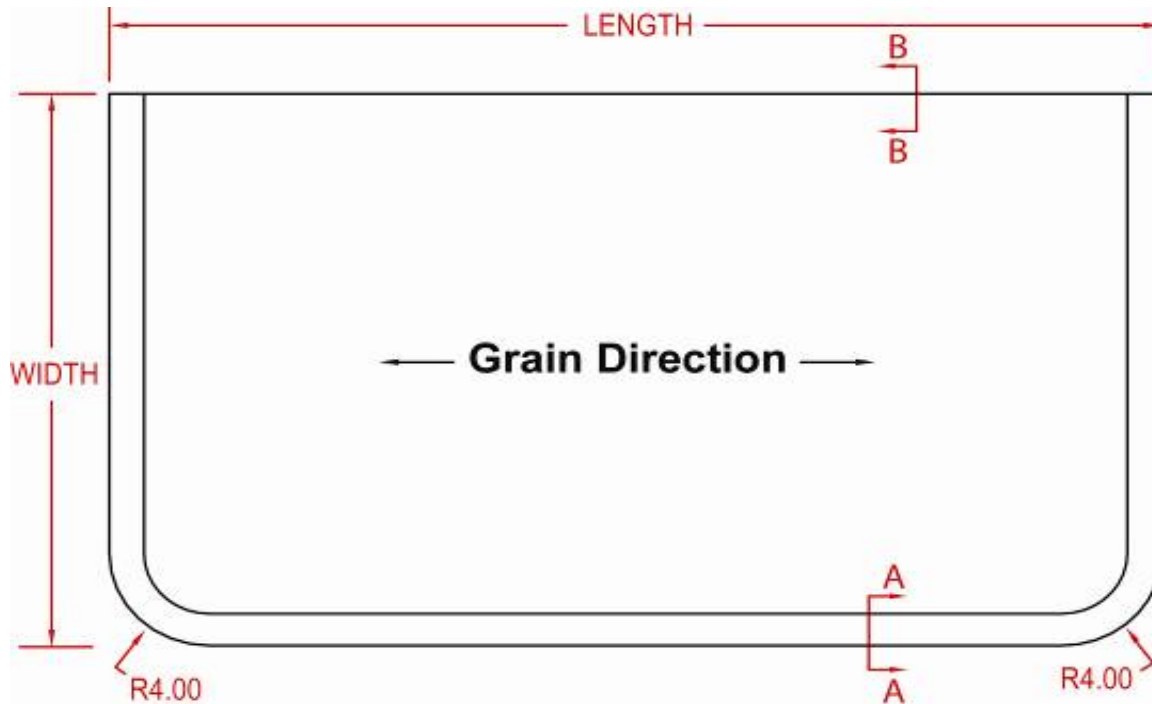
- Note: Orders may be electronically forwarded to: orders@northerncontours.com

BILL TO _____
Address _____
City _____ **St** _____ **Zip** _____
Tel _____ **Fax** _____
E-mail _____

SHIP TO _____
Address _____
City _____ **St** _____ **Zip** _____
Tel _____ **Fax** _____
 Commercial Residential

NCVS-DL-RND

D Shape (Long Profile/Round Corners)



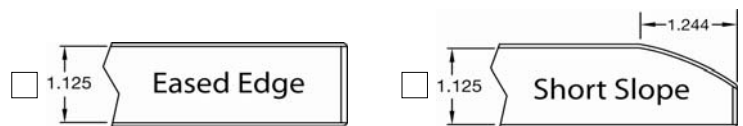
Quantity _____
Width _____
Length _____

Specie _____

Notes

- Width Max of 47", Length Max of 96"
- Width Min of 12"
- Length Min of 12"

Primary Profile (A)



Secondary Profile (B)



- Note: Orders may be electronically forwarded to:
orders@northerncontours.com



Veneer Surfaces Order Form

Order Quote Page _____ of _____

Ph: 877.998.1814 Fax: 218.998.1888

Date _____ Job Name _____

E-mail: orders@northerncontours.com

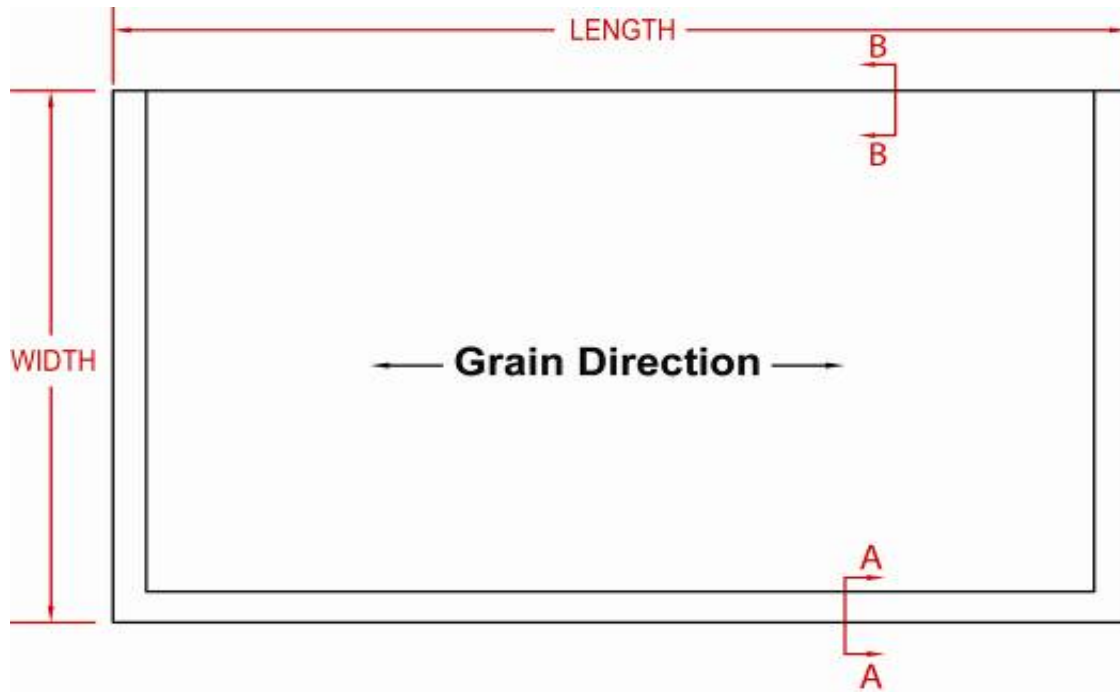
PO# _____ Ordered By _____

BILL TO _____
Address _____
City _____ **St** _____ **Zip** _____
Tel _____ **Fax** _____
E-mail _____

SHIP TO _____
Address _____
City _____ **St** _____ **Zip** _____
Tel _____ **Fax** _____
 Commercial Residential

NCVS-DL-SQ

D Shape (Long Profile/Square Corners)



Quantity _____

Width _____

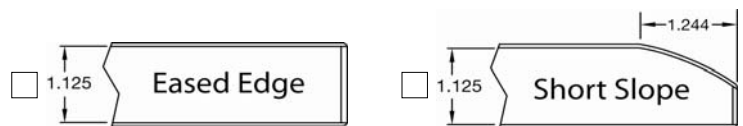
Length _____

Specie _____

Notes

- Width Max of 47", Length Max of 96"
- Width Min of 12"
- Length Min of 12"

Primary Profile (A)



Secondary Profile (B)



- Note: Orders may be electronically forwarded to: orders@northerncontours.com



Veneer Surfaces Order Form

Order Quote Page _____ of _____

Ph: 877.998.1814 Fax: 218.998.1888

Date _____ Job Name _____

E-mail: orders@northerncontours.com

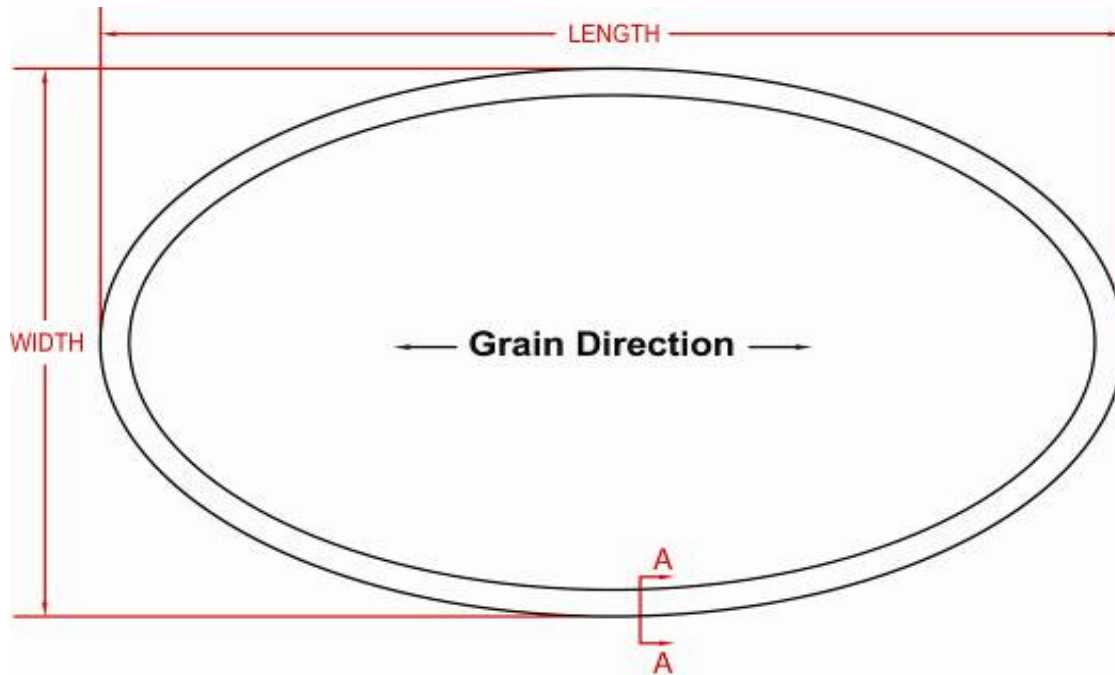
PO# _____ Ordered By _____

BILL TO _____
Address _____
City _____ **St** _____ **Zip** _____
Tel _____ **Fax** _____
E-mail _____

SHIP TO _____
Address _____
City _____ **St** _____ **Zip** _____
Tel _____ **Fax** _____
 Commercial Residential

NCVS-OVAL

Oval



Quantity _____

Width _____

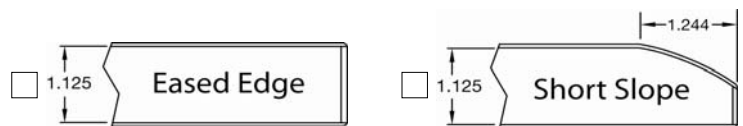
Length _____

Specie _____

Notes

- Width Max of 47", Length Max of 96"
- Width Min of 12"
- Length Min of 12"

Primary Profile (A)



- Note: Orders may be electronically forwarded to: orders@northerncontours.com



Veneer Surfaces Order Form

Order Quote Page _____ of _____

Ph: 877.998.1814 Fax: 218.998.1888

Date _____ Job Name _____

E-mail: orders@northerncontours.com

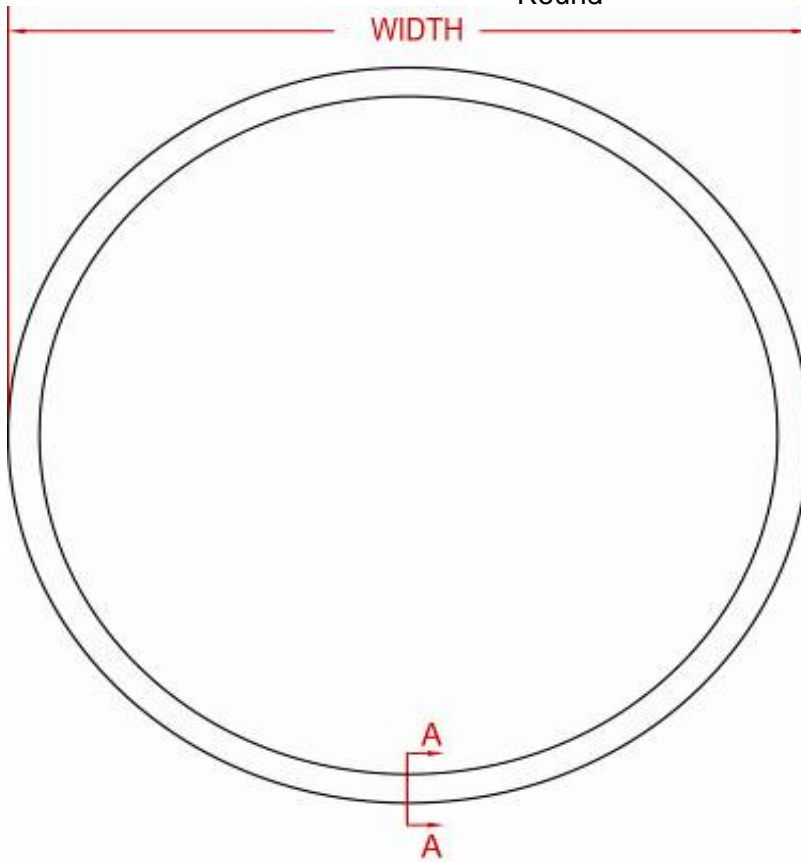
PO# _____ Ordered By _____

BILL TO _____
Address _____
City _____ **St** _____ **Zip** _____
Tel _____ **Fax** _____
E-mail _____

SHIP TO _____
Address _____
City _____ **St** _____ **Zip** _____
Tel _____ **Fax** _____
 Commercial Residential

NCVS-RND

Round



Quantity _____

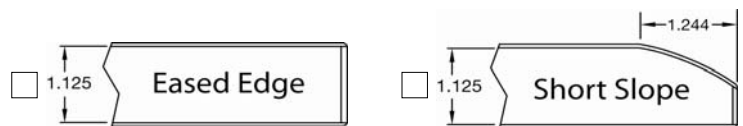
Width _____

Specie _____

Notes

- Diameter Max of 47"
- Diameter Min of 12"

Primary Profile (A)

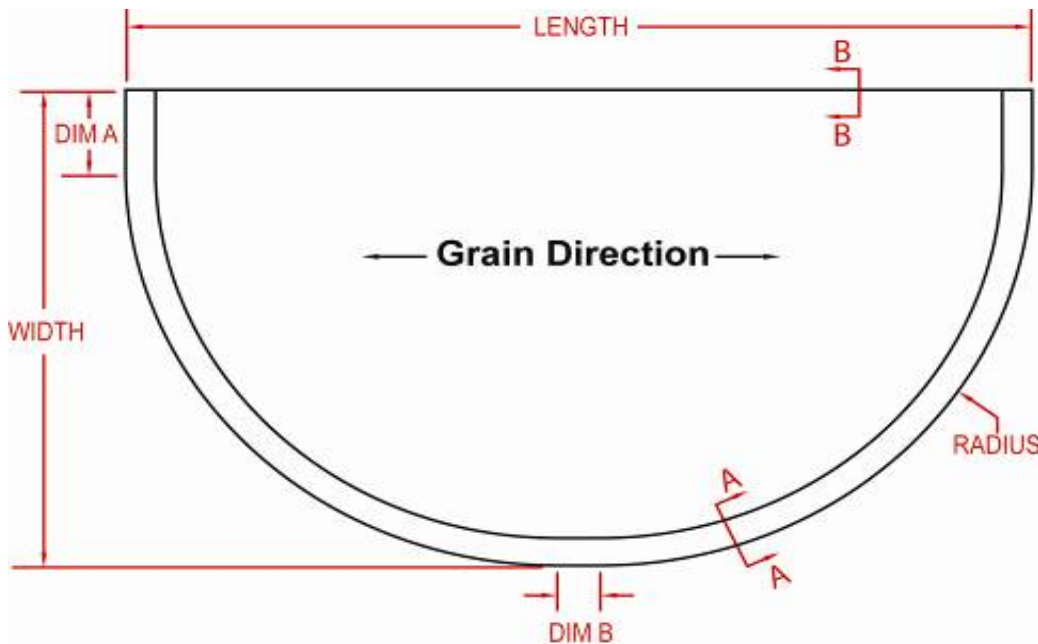


- Note: Orders may be electronically forwarded to: orders@northerncontours.com

BILL TO _____
Address _____
City _____ **St** _____ **Zip** _____
Tel _____ **Fax** _____
E-mail _____

SHIP TO _____
Address _____
City _____ **St** _____ **Zip** _____
Tel _____ **Fax** _____
 Commercial Residential

NCVS-HR
Half Round



Quantity _____
Width _____
Length _____

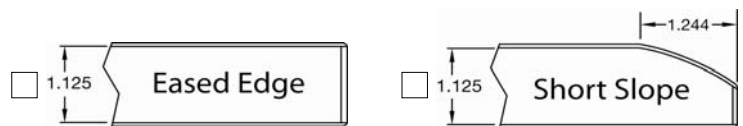
Specie _____

Notes

- Width Max of 47", Length Max of 96"
- Width Min of 12"
- Length Min of 12"
- Dim A & Dim B to Vary with Length and Width
- Radius Varies with Length and Width

- Note: Orders may be electronically forwarded to:
orders@northerncontours.com

Primary Profile (A)



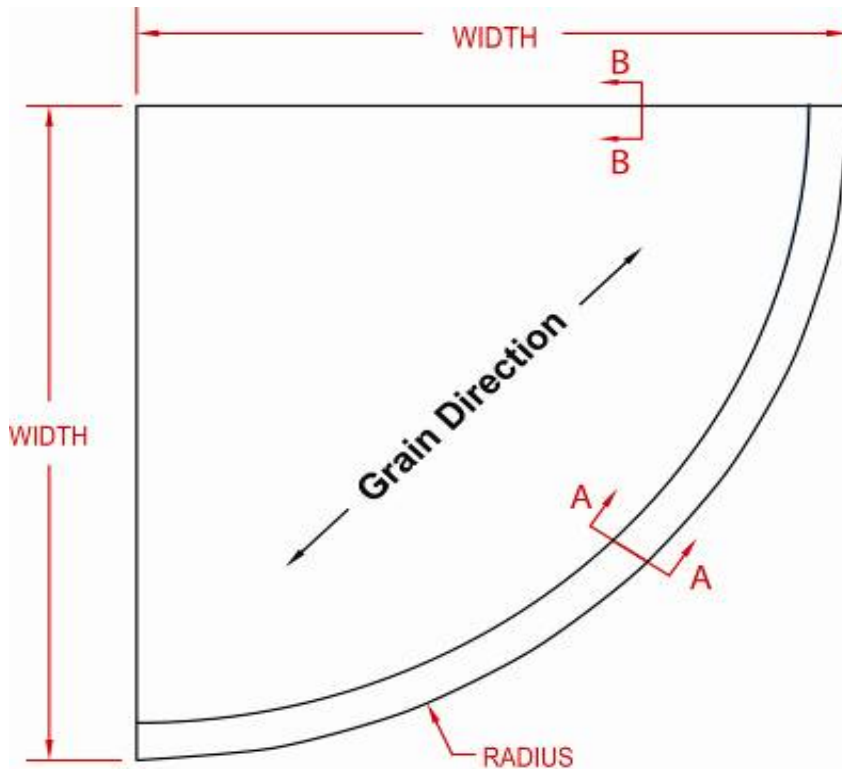
Secondary Profile (B)



BILL TO _____
Address _____
City _____ **St** _____ **Zip** _____
Tel _____ **Fax** _____
E-mail _____

SHIP TO _____
Address _____
City _____ **St** _____ **Zip** _____
Tel _____ **Fax** _____
 Commercial Residential

NCVS-QTRR
Quarter Round



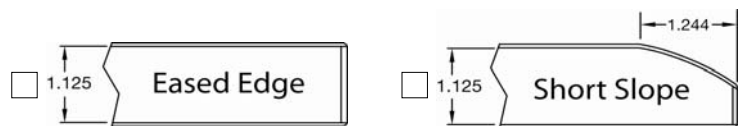
Quantity _____
Width _____

Specie _____

Notes

- Max Width of 47"
- Width Min = 12"
- Radius Varies with Size

Primary Profile (A)



Secondary Profile (B)



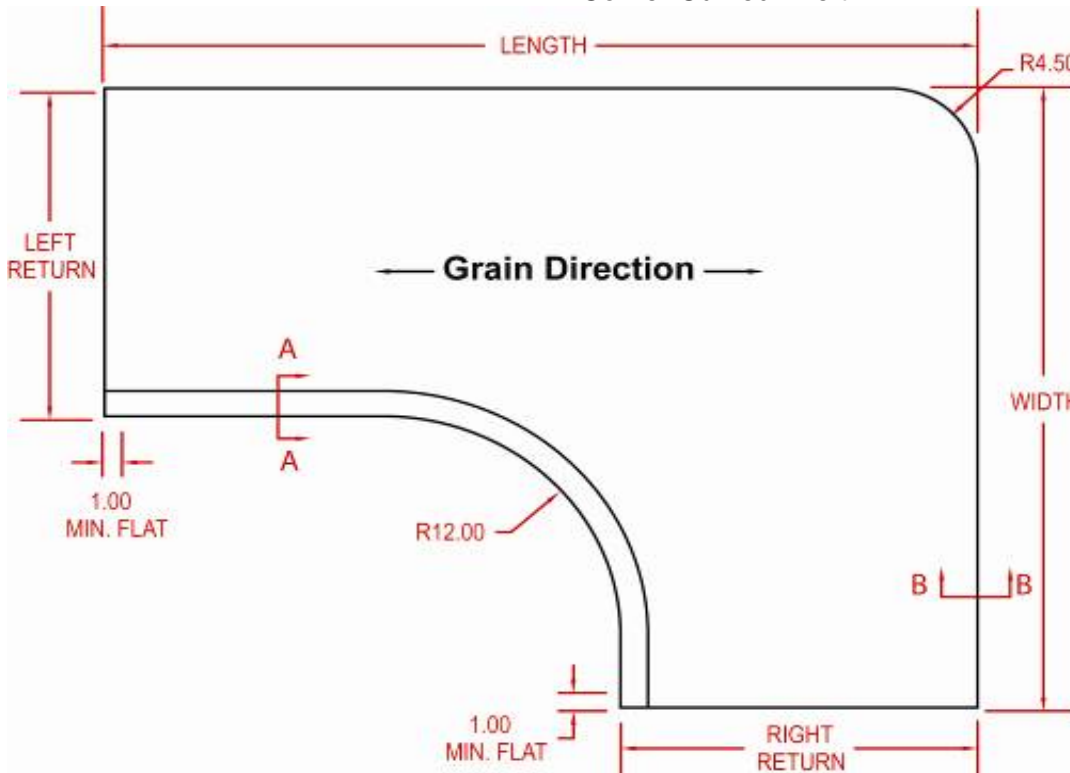
- Note: Orders may be electronically forwarded to:
orders@northerncontours.com

BILL TO _____
Address _____
City _____ **St** _____ **Zip** _____
Tel _____ **Fax** _____
E-mail _____

SHIP TO _____
Address _____
City _____ **St** _____ **Zip** _____
Tel _____ **Fax** _____
 Commercial Residential

NCVS-CCL

Corner Curved - Left



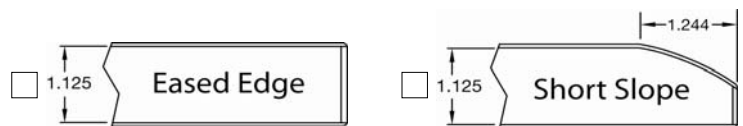
Quantity _____
Width _____
Length _____
Left Return _____
Right Return _____

Specie _____

Notes

- Width Max of 47" & Length Max of 96"
- Width Min = Left Return + 13"
- Length Min = Right Return + 13"

Primary Profile (A)



Secondary Profile (B)

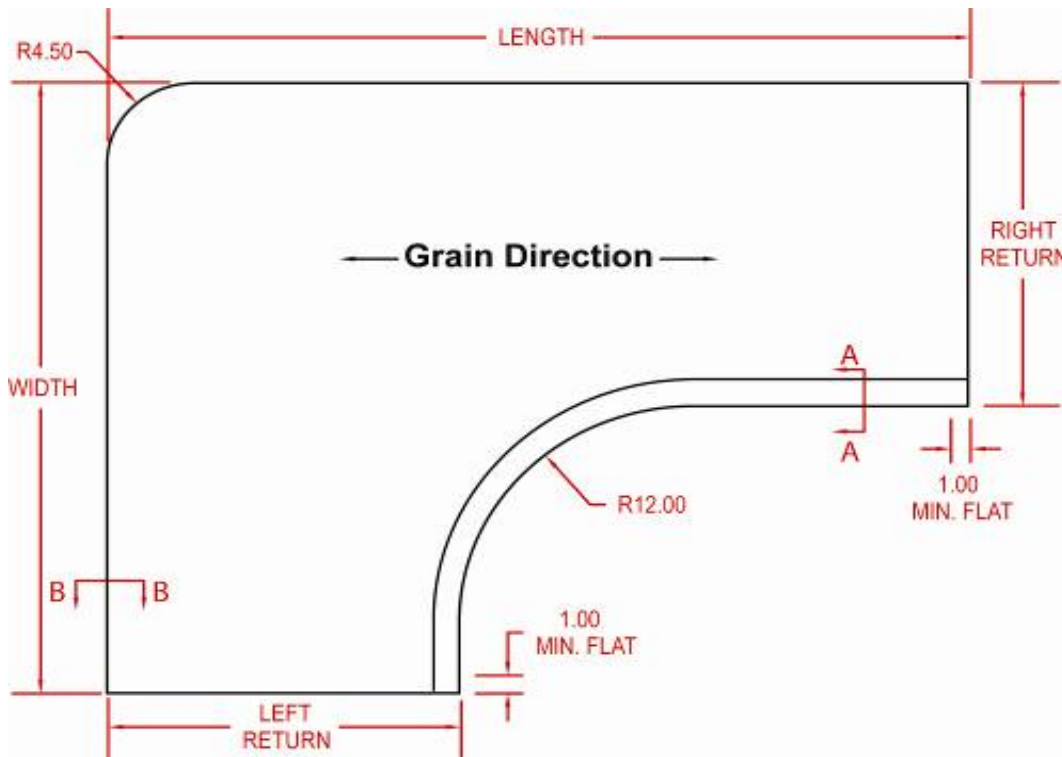


- Note: Orders may be electronically forwarded to:
orders@northerncontours.com

BILL TO _____
Address _____
City _____ **St** _____ **Zip** _____
Tel _____ **Fax** _____
E-mail _____

SHIP TO _____
Address _____
City _____ **St** _____ **Zip** _____
Tel _____ **Fax** _____
 Commercial Residential

NCVS-CCR
Corner Curved -Right



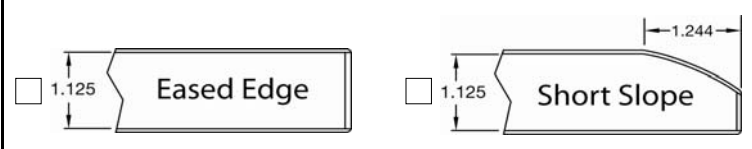
Quantity _____
Width _____
Length _____
Left Return _____
Right Return _____

Specie _____

Notes

- Width Max of 47" & Length Max of 96"
- Width Min = Right Return + 13"
- Length Min = Left Return + 13"

Primary Profile (A)



Secondary Profile (B)



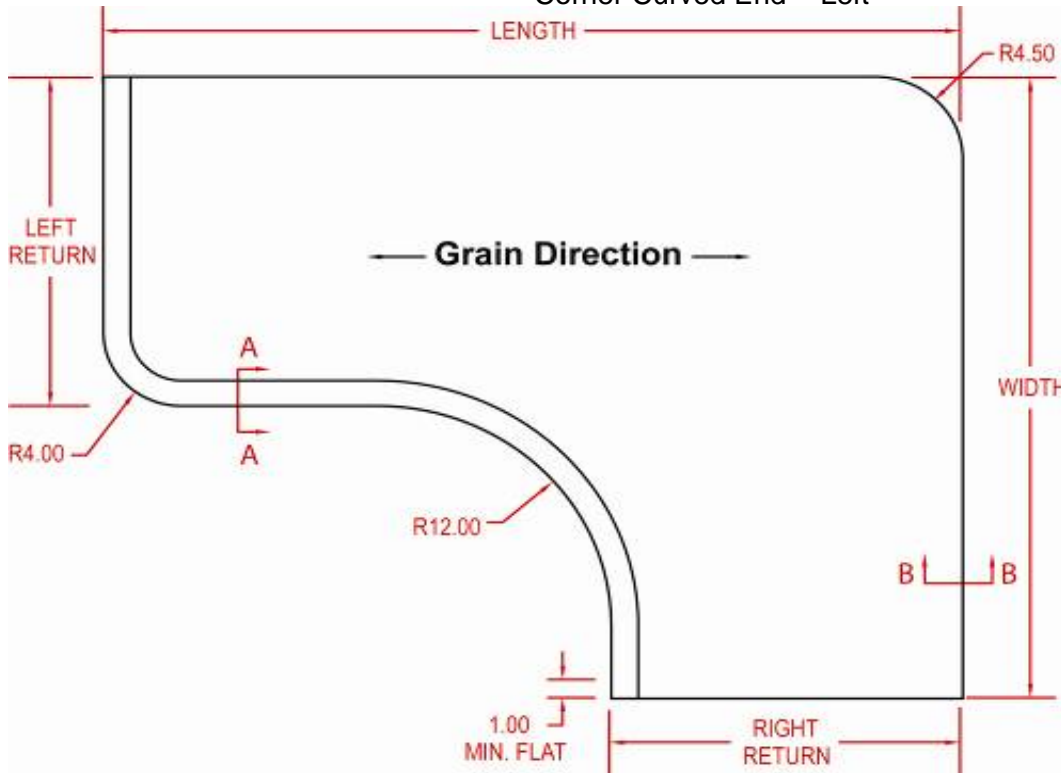
- Note: Orders may be electronically forwarded to: orders@northerncontours.com

BILL TO _____
Address _____
City _____ **St** _____ **Zip** _____
Tel _____ **Fax** _____
E-mail _____

SHIP TO _____
Address _____
City _____ **St** _____ **Zip** _____
Tel _____ **Fax** _____
 Commercial Residential

NCVS-CCEL

Corner Curved End - Left



Quantity _____

Width _____

Length _____

Left Return _____

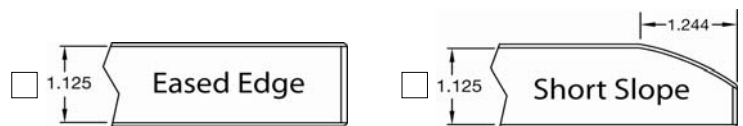
Right Return _____

Specie _____

Notes

- Width Max of 47" & Length Max of 96"
- Width Min = Left Return + 13"
- Length Min = Right Return + 16"

Primary Profile (A)



Secondary Profile (B)



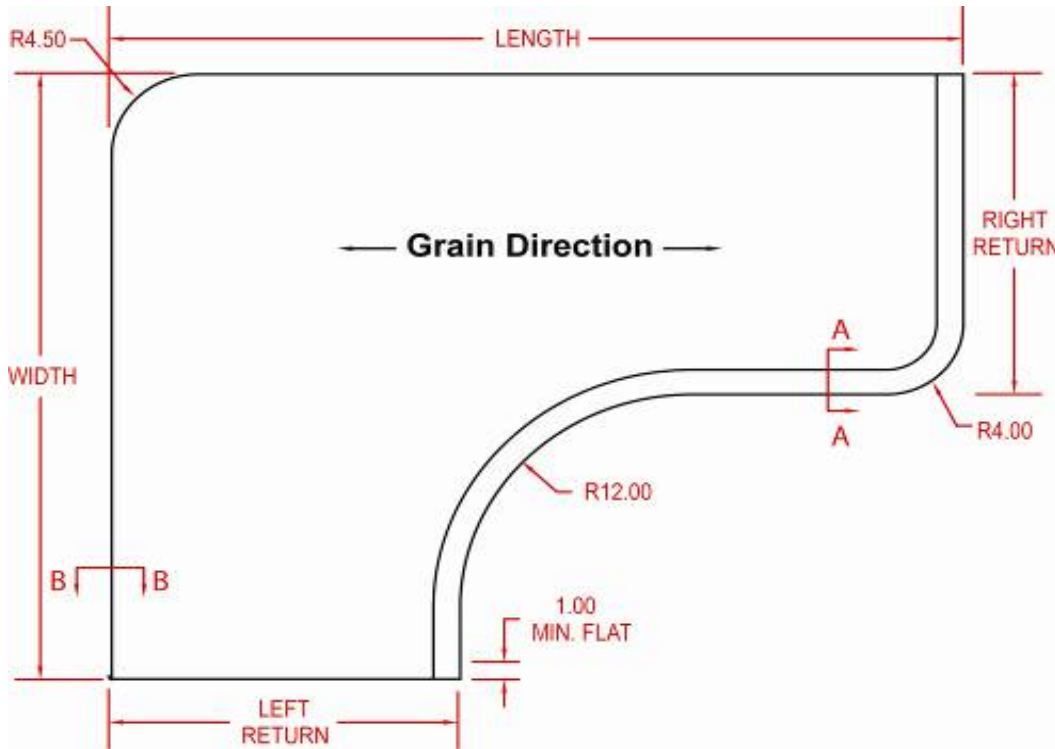
- Note: Orders may be electronically forwarded to:
orders@northerncontours.com

BILL TO _____
Address _____
City _____ **St** _____ **Zip** _____
Tel _____ **Fax** _____
E-mail _____

SHIP TO _____
Address _____
City _____ **St** _____ **Zip** _____
Tel _____ **Fax** _____
 Commercial Residential

NCVS-CCER

Corner Curved End - Right



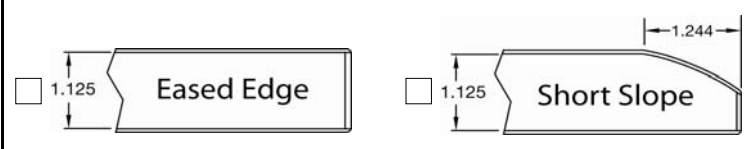
Quantity _____
Width _____
Length _____
Left Return _____
Right Return _____

Specie _____

Notes

- Width Max of 47" & Length Max of 96"
- Width Min = Right Return + 13"
- Length Min = Left Return + 16"

Primary Profile (A)



Secondary Profile (B)



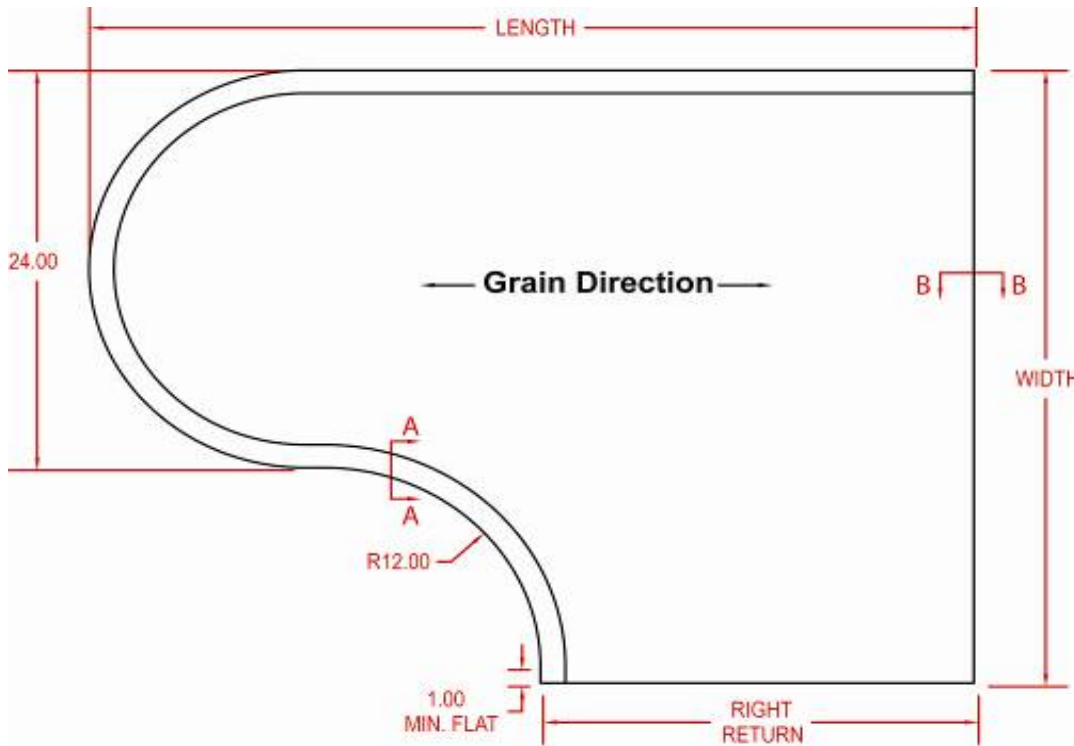
- Note: Orders may be electronically forwarded to: orders@northerncontours.com

BILL TO _____
Address _____
City _____ **St** _____ **Zip** _____
Tel _____ **Fax** _____
E-mail _____

SHIP TO _____
Address _____
City _____ **St** _____ **Zip** _____
Tel _____ **Fax** _____
 Commercial Residential

NCVS-CCBL

Corner Curved Bullet - Left



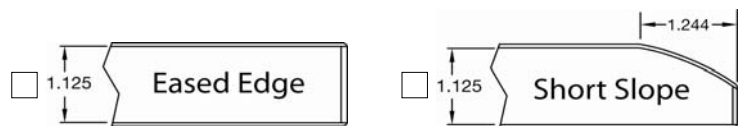
Quantity _____
Width _____
Length _____
Right Return _____

Specie _____

Notes

- Width Max of 47" & Length Max of 96"
- Width Min = 37"
- Length Min = Right Return + 24"

Primary Profile (A)



Secondary Profile (B)



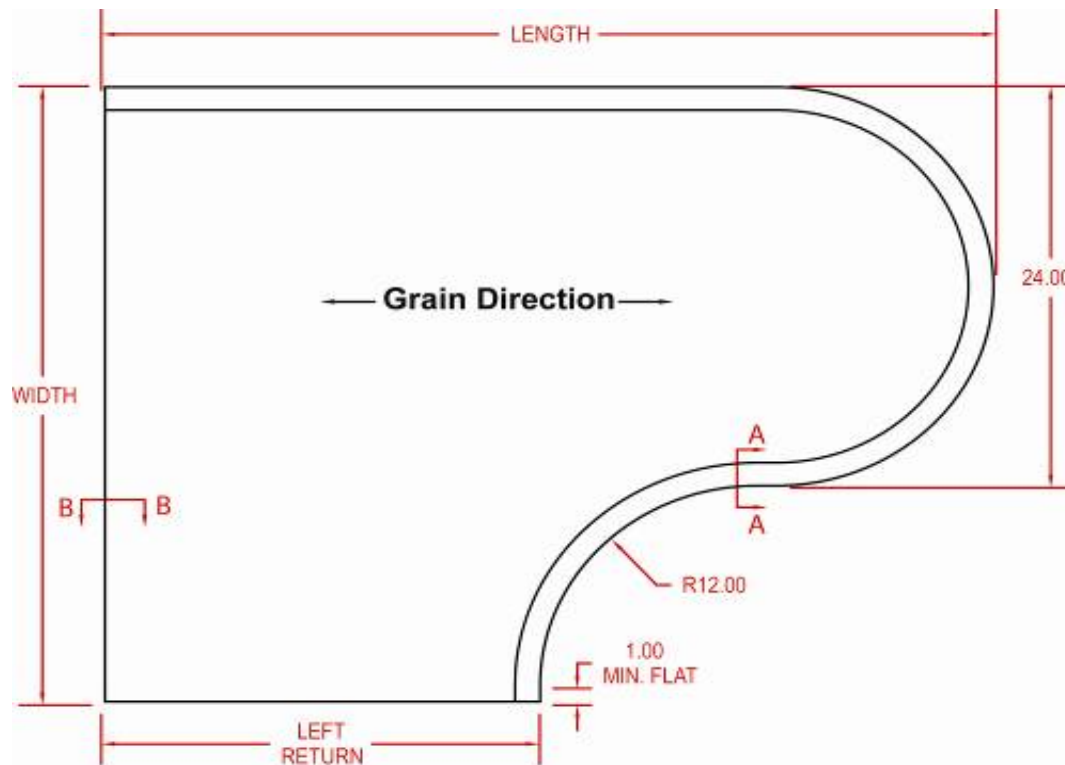
- Note: Orders may be electronically forwarded to:
orders@northerncontours.com

BILL TO _____
Address _____
City _____ **St** _____ **Zip** _____
Tel _____ **Fax** _____
E-mail _____

SHIP TO _____
Address _____
City _____ **St** _____ **Zip** _____
Tel _____ **Fax** _____
 Commercial Residential

NCVS-CCBR

Corner Curved Bullet - Right



Quantity _____

Width _____

Length _____

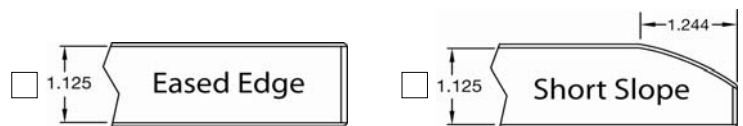
Left Return _____

Specie _____

Notes

- Width Max of 47" & Length Max of 96"
- Width Min = 37"
- Length Min = Left Return + 24"

Primary Profile (A)



Secondary Profile (B)



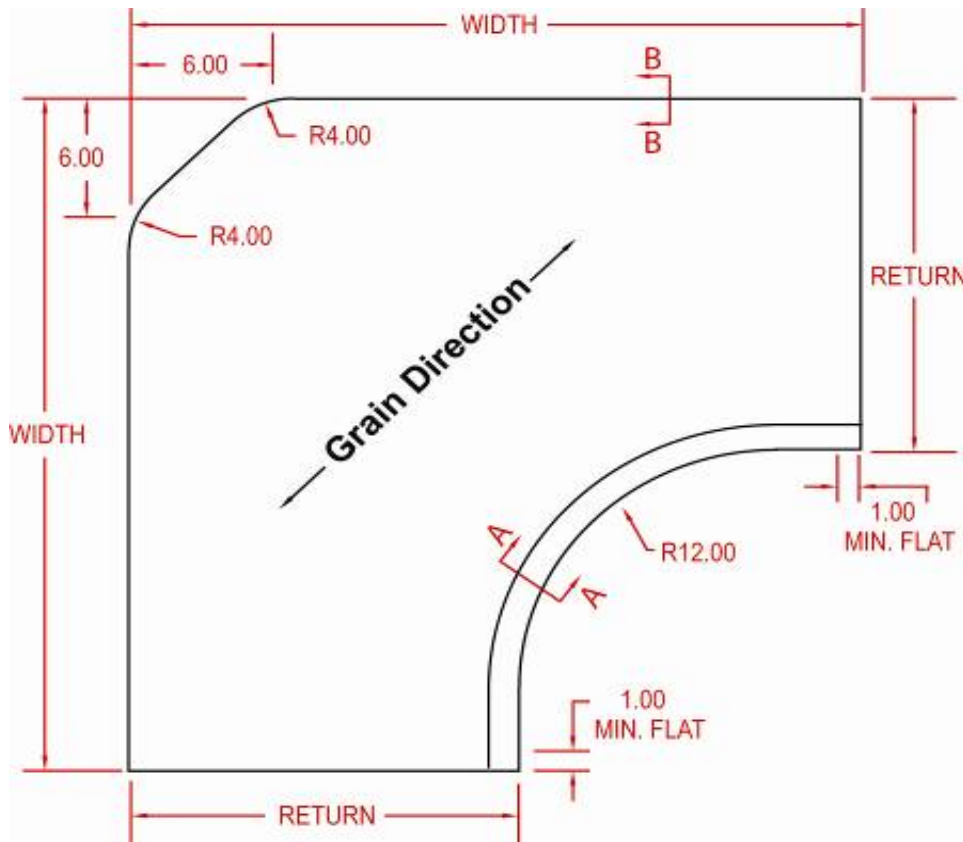
- Note: Orders may be electronically forwarded to:
 orders@northerncontours.com

BILL TO _____
Address _____
City _____ **St** _____ **Zip** _____
Tel _____ **Fax** _____
E-mail _____

SHIP TO _____
Address _____
City _____ **St** _____ **Zip** _____
Tel _____ **Fax** _____
 Commercial Residential

NCVS-CCD

Corner Curved Diagonal



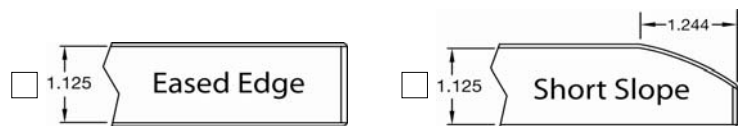
Quantity _____
Width _____
Return _____

Specie _____

Notes

- Width Max of 48.5" When Return 24"
- Width Max of 43" When Return 30"
- Width Min = Return + 13"

Primary Profile (A)



Secondary Profile (B)



- Note: Orders may be electronically forwarded to:
orders@northerncontours.com