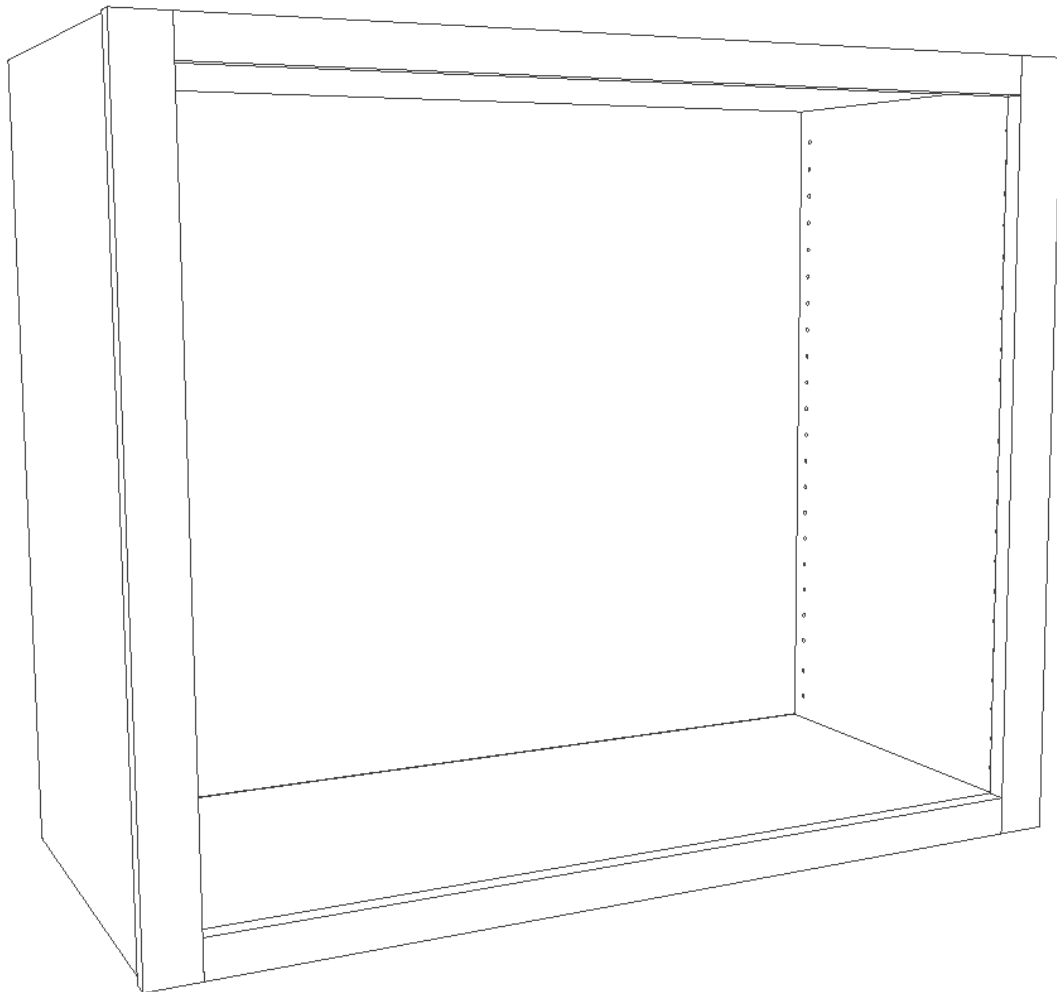


## Upper Cabinet Assembly Instructions



### MATERIALS NEEDED FOR COMPLETE ASSEMBLY:

- WOOD GLUE (type PVA)
- FINISH NAIL GUN
- SOFT RUBBER Mallet
- 1" - 1 1/4" NAILS FOR CABINET BOX AND FACE FRAME

**CAUTION: DO NOT FORCE COMPONENT ASSEMBLY!**  
Use rubber mallet for tapping components into dados.

# INVENTORY LIST

(A) – LEFT SIDE PANEL

(B) – RIGHT SIDE PANEL

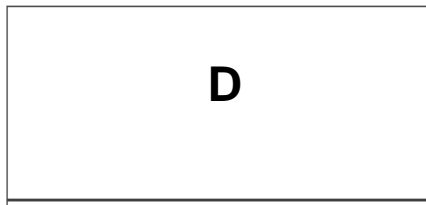
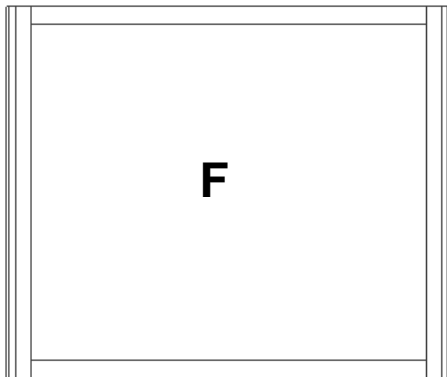
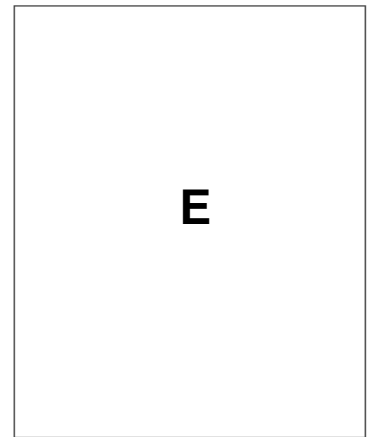
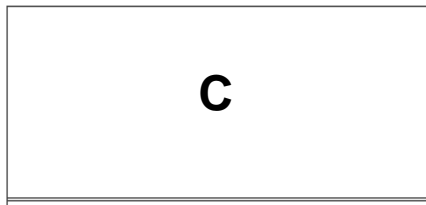
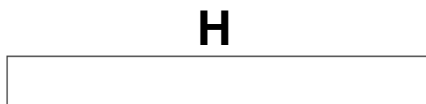
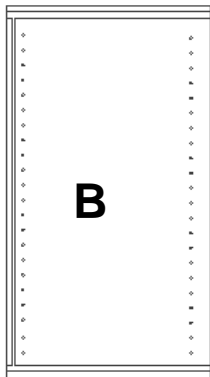
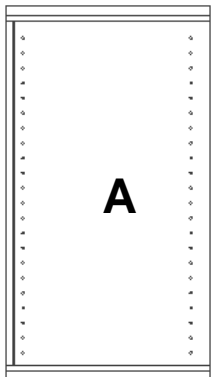
(C) – TOP PANEL

(D) – BOTTOM PANEL

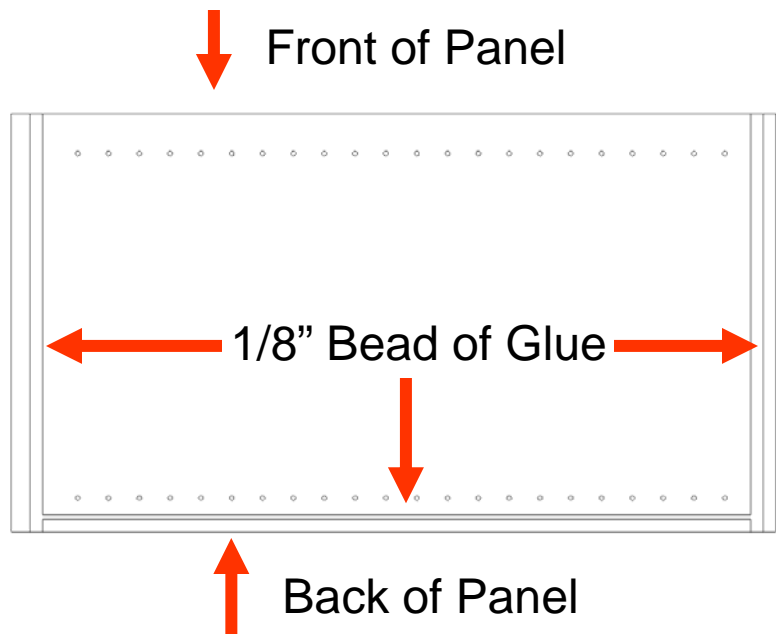
(E) – BACK PANEL

(F) – FACE FRAME

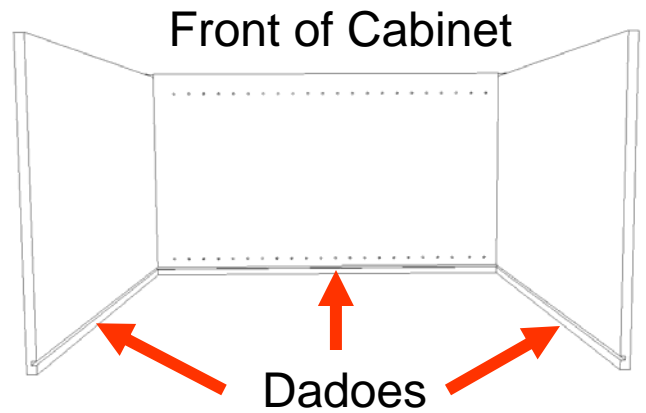
(G – H) UPPER AND LOWER NAILER



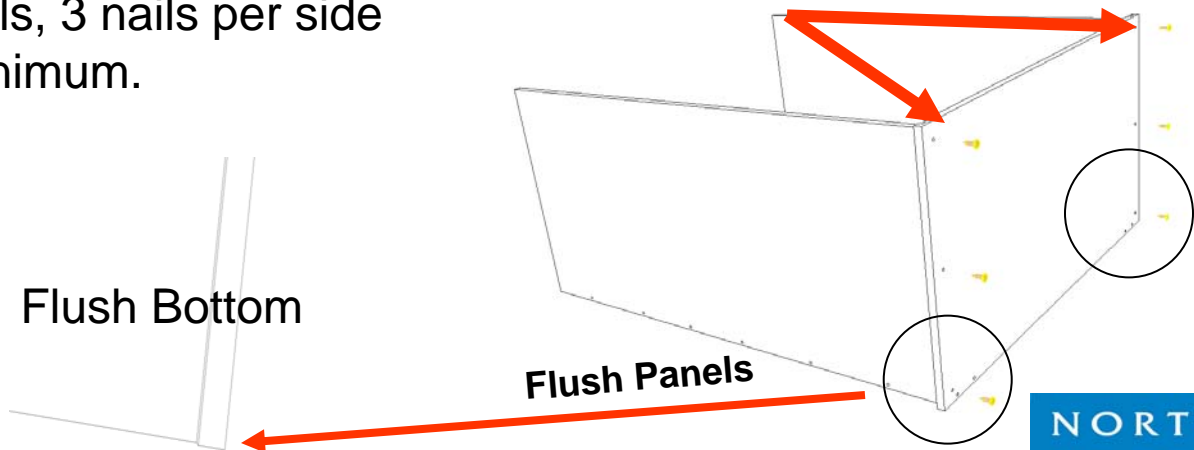
For ease of assembly, mark all nail locations on outside of panels. Place Left or Right side panel on flat work surface. Apply 1/8" continuous bead of glue to dado grooves.



Insert Top and Bottom panels into dados of side panels. Panels need to be oriented so that all dados for 1/4" back are located on the same side.

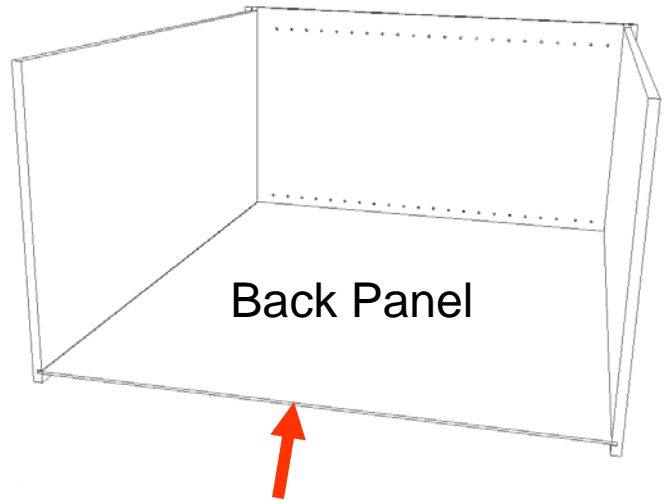


Flush All panels on 1/4" dado side and secure with nails, 3 nails per side minimum.



## Finished Side of Panel Faces in

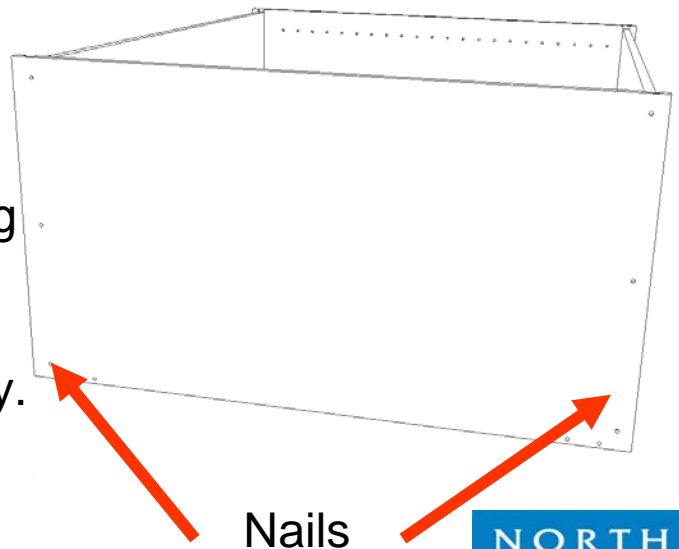
Insert back panel into dado grooves, the finished side of the back panel faces in.



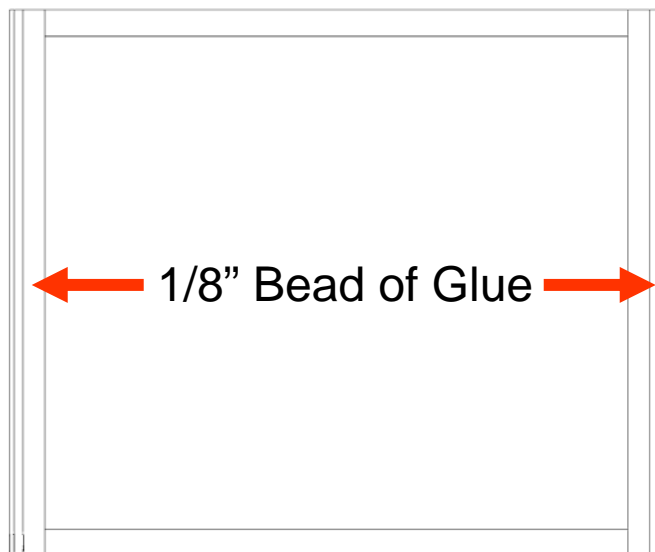
Place 1/8" continuous bead of glue on all dados of last remaining side panel.



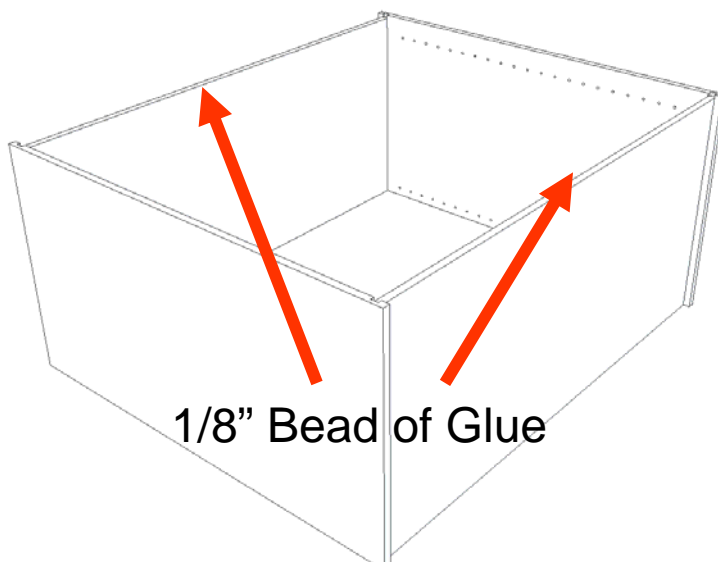
Assemble side panel, securing with nails, minimum 3 per side. Ensure 1/4" dado on side panel is oriented correctly.



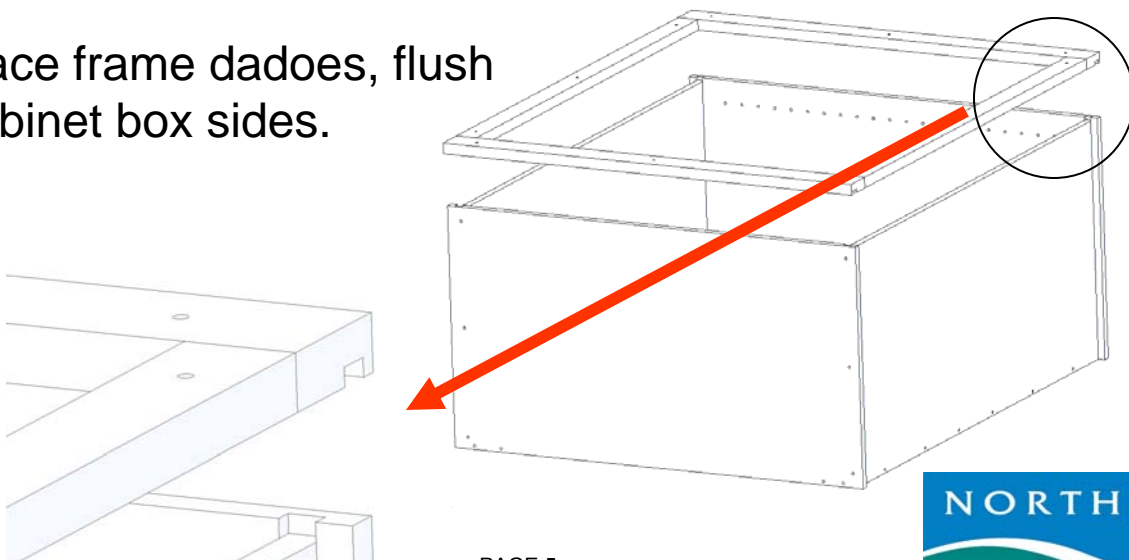
Dry fit face frame onto cabinet. If needed, sand corners of cabinet box to facilitate in assembly. Apply a continuous 1/8" bead of glue to face frame dados.



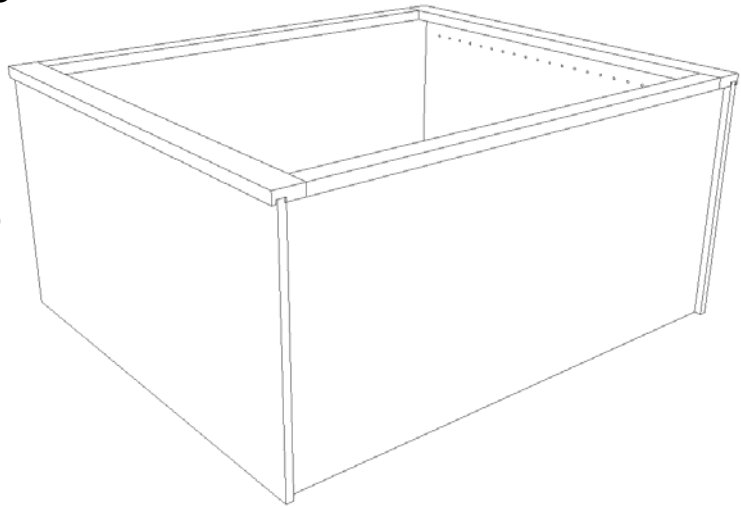
Apply a continuous 1/8" bead of glue to cabinet box top and bottom. Glue applied to face frame will fit into cabinet rail sides.



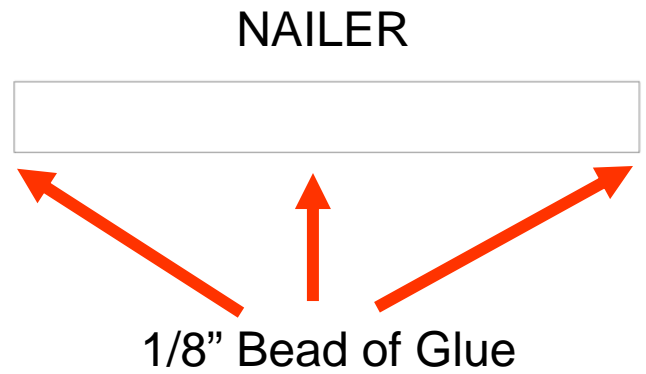
Align face frame dados, flush with cabinet box sides.



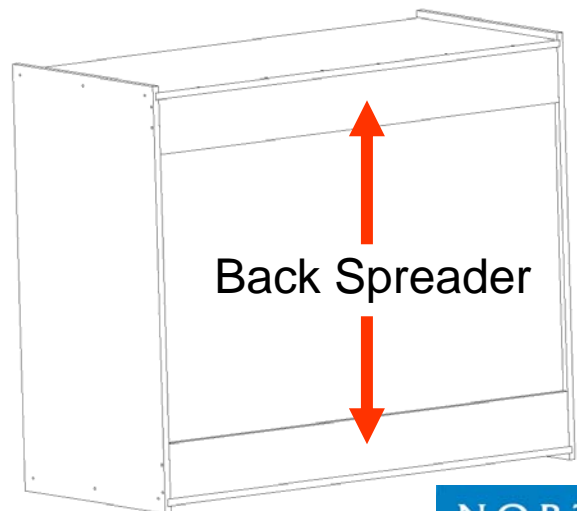
Apply pressure to face frame, aligning face frame dadoes to cabinet sides. Flush ends of stiles to box side panels to square cabinet. Nail stiles to box first, then rails. Place 3-5 nails per face frame side minimum.



Apply 1/8" bead of glue to the ends and one side of nailer.



Attach nailers to back of cabinet, placing one upper and one lower. Using nails, secure nailers to cabinet box. Allow cabinet to dry overnight, before re-facing exterior of cabinet. Apply finish to face frame, to promote adhesion.



# NAIL LOCATIONS FOR CABINET

