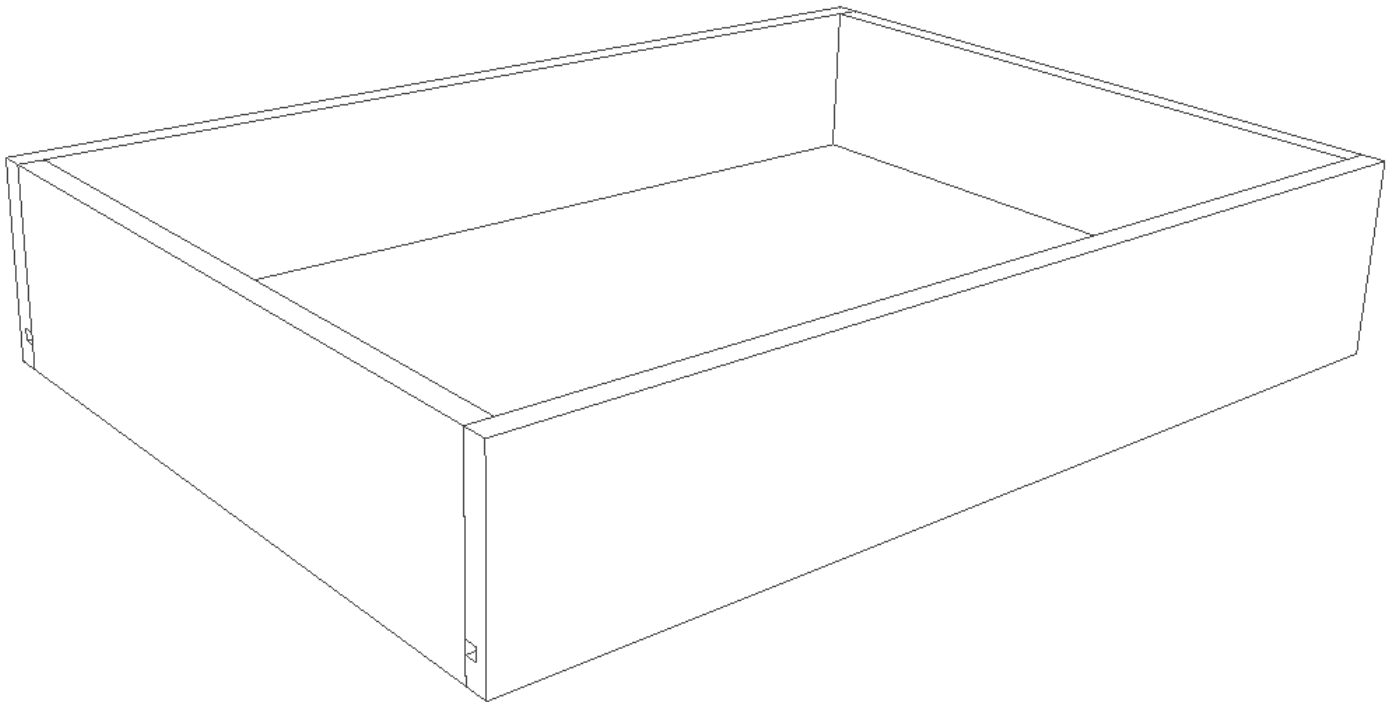


Drawer Box Assembly Instructions



MATERIALS NEEDED FOR COMPLETE ASSEMBLY:

- **WOOD GLUE (type PVA)**
- **SOFT RUBBER Mallet**

**CAUTION: DO NOT FORCE
COMPONENT ASSEMBLY!
Use rubber mallet for tapping
components into dados.**

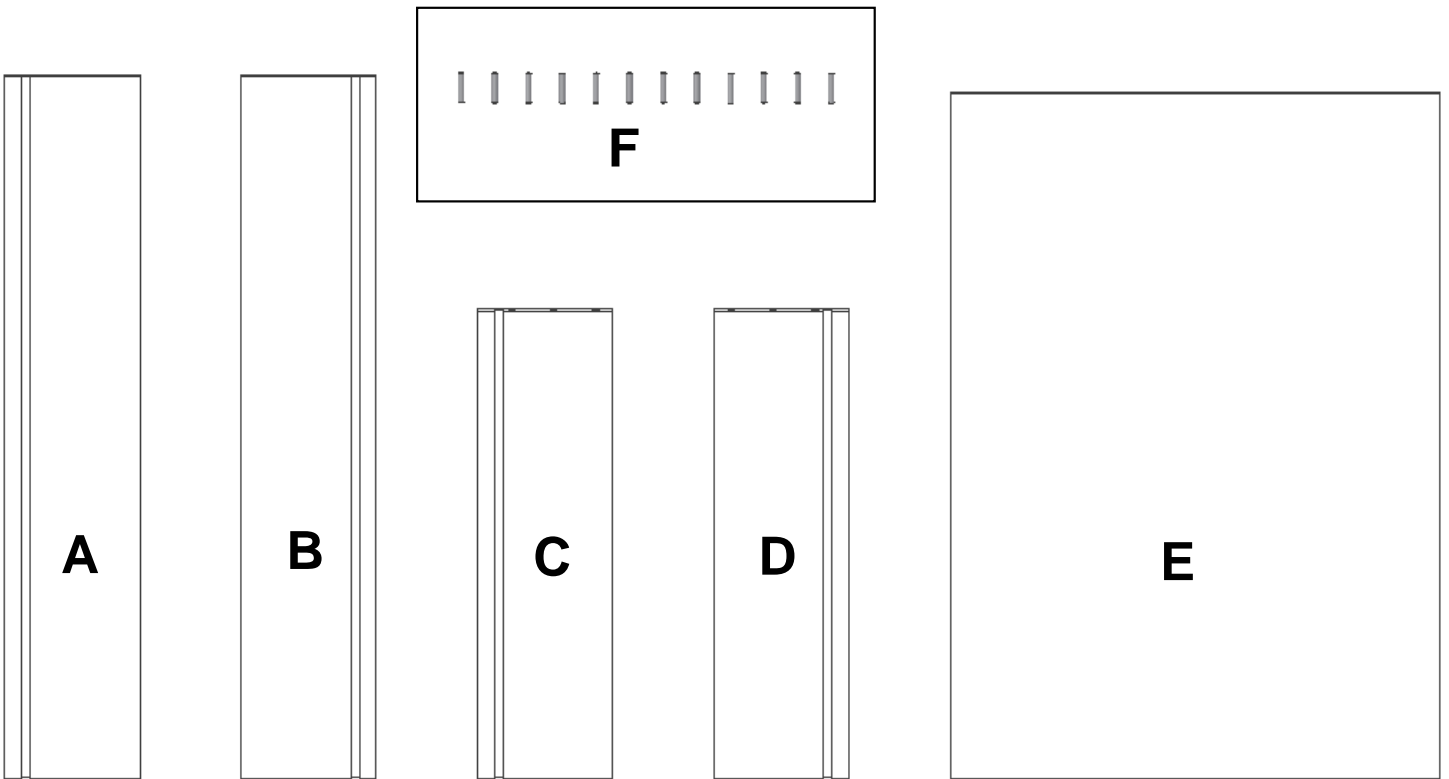
INVENTORY LIST

(A) - (B) DRAWER SIDE

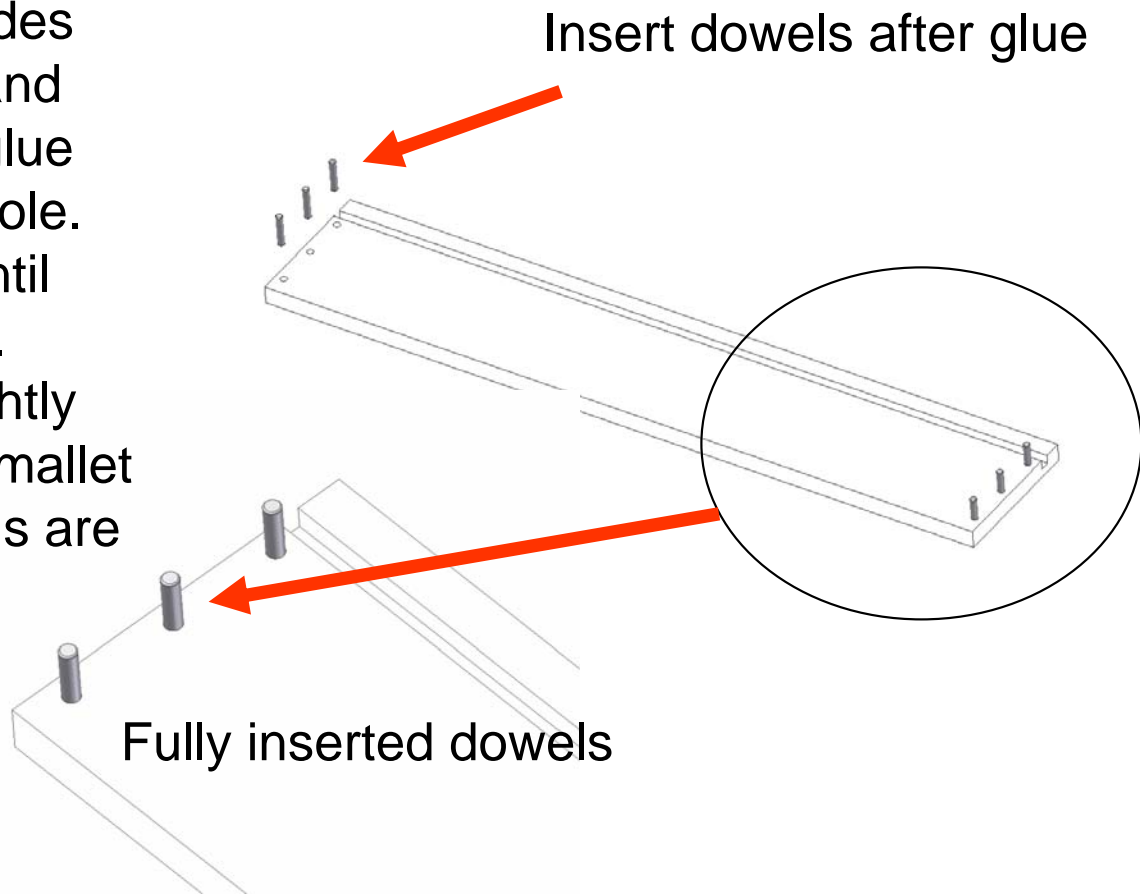
(C) - (D) DRAWER END

(E) - 1/4" DRAWER BOTTOM

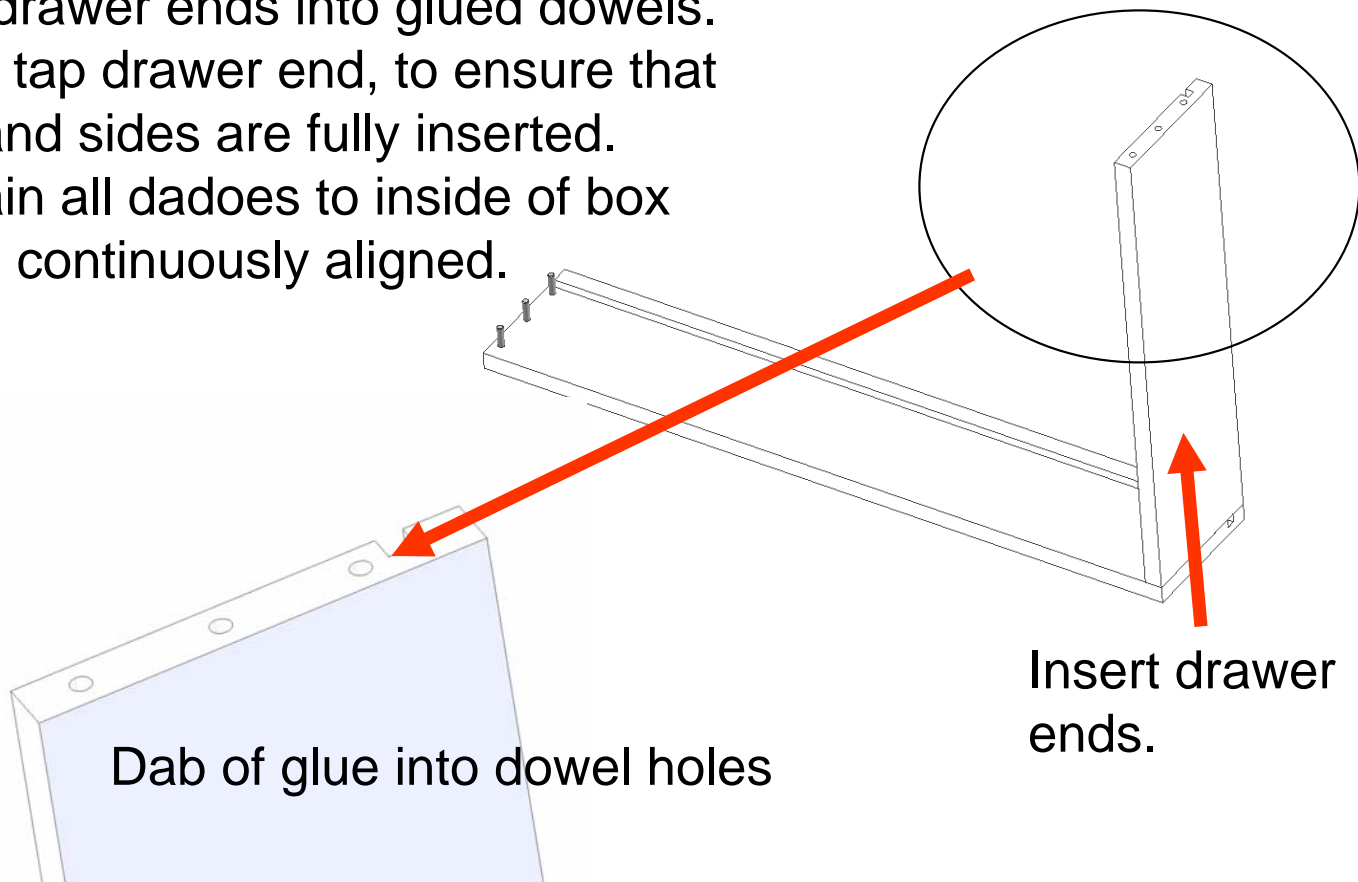
(F) - 12 - 1" DOWEL INSERTS



Place drawer sides on flat surface and apply a dab of glue to each dowel hole. Insert dowels until they bottom out. If necessary, lightly tap with rubber mallet to ensure dowels are fully seated.

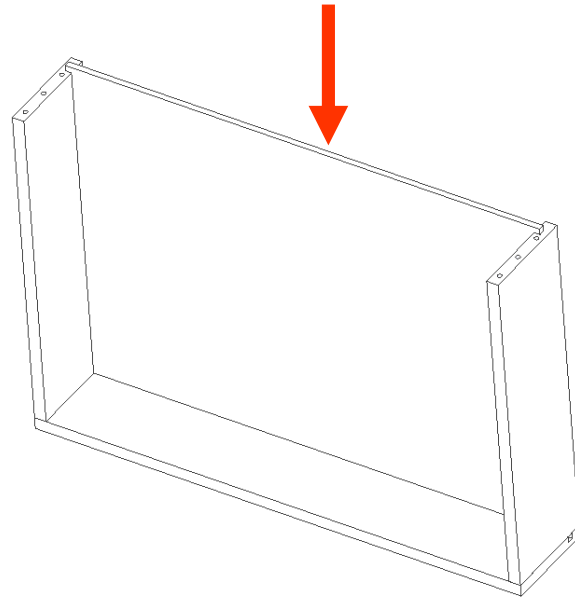


Apply a dab of glue to drawer end dowel holes and drawer sides dados, insert drawer ends into glued dowels. Lightly tap drawer end, to ensure that ends and sides are fully inserted. Maintain all dados to inside of box and all continuously aligned.



Slide in drawer bottom into dado slots, lightly tap with rubber mallet to verify drawer bottom is fully inserted.

Slide in drawer bottom



Place final drawer side and ensure it is fully inserted, by lightly tapping with rubber mallet.

Clap ends if necessary and allow to dry, approximately 24 hours. Measure drawer diagonally, tap until drawer is square, diagonal to diagonal

